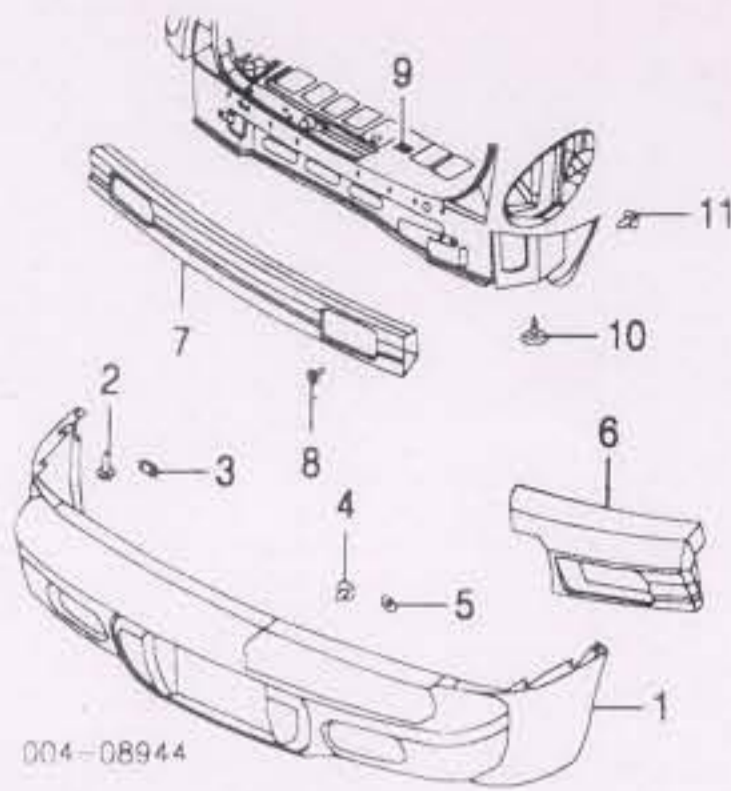


SEBRING CONVERTIBLE 2001-04

REAR BUMPER Cont'd



004-08944

4 Screw, Attaching	R/L 6503819	1.85
5 Nut, Attaching (2/Side)	R/L 6100840	1.85
6 Foam, Absorber		
2001	R 5288898AB	38.20
	L 5288899AB	38.20
2002-03	R 5288898AB	38.20
	L 5288899AB	38.20
2004		
Code MLL, Code MLN	R 5288898AC	38.20
	L 5288899AC	38.20
Code MLR	R 5288900AC	22.20
	L 5288901AC	22.20
7 Reinf, Cover	01 5288785AD	92.85
	02-04 5288785AD	1.7 92.85
8 Screw, Cover Mtg (2/Side)	R/L 6101793	1.20
9 Nut, Attaching	01 6100048	2.60
	02-04 6502676	1.85
10 Fastener, Attaching (2/Side)	R/L 4805405AB	2.35
11 Screw, Attaching (5/Side)	R/L 6505628AA	45

SEBRING CONVERTIBLE 2001-04

SECTION INDEX

A/C /HEATER/VENTILATION.....	133
A/C REFRIGERANT CAPACITIES.....	133
ABS/BRAKES.....	135
AIR BAG SYSTEM.....	135
AIR CLEANER.....	138
CENTER CONSOLE.....	141
CLEAR COAT IDENTIFICATION.....	132
CONVERTIBLE TOP.....	143
COOLING.....	133
COWL & DASH.....	140
CRUISE CONTROL SYSTEM.....	135
ELECTRICAL.....	139
EMISSION SYSTEM.....	139
ENGINE/TRANS.....	137
ENGINE/TRANS MOUNTS.....	138
EXHAUST.....	138
FRONT BUMPER.....	132
FRONT DOOR.....	142
FRONT DRIVE AXLE.....	136
FRONT FENDER.....	134
FRONT INNER STRUCTURE.....	134
FRONT LAMPS.....	132
FRONT SEAT.....	141
FRONT STEERING LINKAGE/GEAR.....	136
FRONT SUSPENSION.....	136
FUEL TANK.....	145
GRILLE.....	132
HOOD.....	133
INFORMATION LABELS.....	132
INSTRUMENT PANEL.....	140
LUGGAGE LID.....	144
PAINT CODE LOCATION.....	132
QUARTER GLASS.....	144
QUARTER PANEL.....	143
REAR BODY.....	145
REAR BUMPER.....	146
REAR LAMPS.....	146
REAR SEAT.....	142
REAR SUSPENSION.....	144
ROCKER/PILLARS/FLOOR.....	141
SEAT BELTS.....	142
SPECIAL CAUTIONS.....	132
STEERING PUMP.....	137
STEERING WHEEL/COLUMN.....	137
TRANS OIL COOLER.....	133
UNDERHOOD DIMENSIONS.....	134
WHEEL.....	136
WINDSHIELD.....	140

SPECIAL CAUTIONS

AIR BAGS

Refer to Procedure Explanation 29 for Supplemental Restraint/Air Bag Special Cautions

SUSPENSION

Manufacturer advises that some new fasteners must be used whenever old fasteners are loosened or removed.

PAINT CODE LOCATION

Paint code located on left front door jamb or left front strut tower.

CLEAR COAT IDENTIFICATION

All colors are clear coat. Red Tinted Pearl Coat (Code WEL) is three stage.

INFORMATION LABELS

Label, A/C Belt Routing/Air Bag	4596463AA	2.85
Label, Air Bag Warning	4757437AA	0.00
Label, Battery Jump Start	4696825	1.85
Label, Battery Export	4793062	3.75
Label, Convertible Boot	4880005AA	4.78
Label, Emission†		
USA, Canada	4591828AA	2.04
Mexico	N.A.	0.00
†Order by Application		
Label, Engine Identification	N.A.	0.00

Label, Fan Caution	4596368AB	2.85
Label, Top Cover Folding	4851137AA	0.00
Label, Unleaded Fuel	4696849	3.82

FRONT BUMPER

Use Procedure Explanations 1 and 28 with the following text.

Refinish Front Cover.....	3.0
R&I Front Cover Assy.....	1.0
O/H Bumper Assy (Includes R&I)	1.6
Add to R&I or O/H Front Bumper w/Fog Lamps.....	2

NOTE: All Parts in this section are included in overhaul unless noted otherwise.



004-09777

1 Cover, Front (P)			
w/Fog Lamps	01 4805439AB	1.6	345.00
	02-03 4805439AB	1.6	345.00
	04 4805909AA	1.6	329.00
w/o Fog Lamps	01 4805438AA	1.6	267.00
	02-03 4805438AB	1.6	280.00
	04 4805908AA	1.6	325.00
(P) Paint to Match			
2 Medallion, Outer	01-03 4805526AA	#2	44.25
	04 N.A.	#2	0.00
3 Medallion, Inner	01-03 4805259AA	#2	22.10
	04 N.A.	#2	0.00
#R&R Complete			
4 Fastener, Frt Cover (2/Side)	R/L 4805405AB		2.35
5 Pin, Push (2/Side)	R/L 6504521		1.60
6 Nut, Retainer	R/L 6100048		2.60
7 Bolt, Mount	R/L 6505145AA		9.10
Absorber, Impact	01-03 4805443AA	IOH	75.10
	04 4805891AA	IOH	239.00
8 Reinforcement, Frt Cover†	01-02 4805380AB	IOH	101.00
	03-04 4805380AB	IOH	101.00
†Includes Front Bumper Brackets			
Plate, Mounting	R 4814698AA		5.25
	L 4814699AA		5.25
Extension, Bumper Side	R 4878600AA		6.20
	L 4878601AA		6.20
9 Bumper, End	R/L 4805394AA		16.25
Kit, License Plate	01-02 4805527AA	.2	15.60
	03 4805527AB	.2	16.45
	04 4806019AC	.2	19.70

GRILLE



004-09168

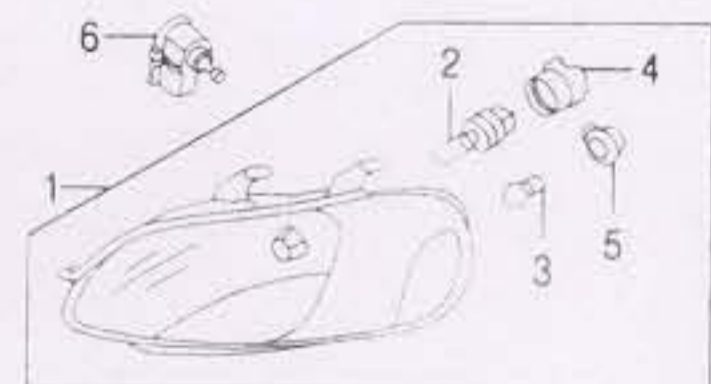
1 Grille	01-03 4805445AA	#1.2	209.00
	04 4805892AA	#1.2	230.00
#Includes R&I Bumper Assy, Included in R&R Front Cover or O/H Front Bumper Assy			

FRONT LAMPS

COMBINATION LAMP

Aim Lamps.....		4
R&I Combination Lamp Assy.....	R/L	5

NOTE: R&R Does Not include aim lamps.



004-10418

1 Lamp Assy, Combination	01-03 R 4805820AA	.5	237.00
	L 4805821AA	.5	237.00
	04 R 4806036AB	.5	242.00

L 4806037AB	5	242.00
Screw, Mounting	R/L 6505837AA	2.10
Screw & Washer, Mtg	R/L 6505836AA	.60
2 Bulb, Headlamp	R/L L0009007QL	#2 12.70
3 Bulb, Park/Signal	R/L L003157NAK	#2 2.70
#R&R One Side Complete, Included in R&I/R&R Combination Lamp Assy		
4 Socket, Headlamp	R/L 5015236AA	2.20
5 Socket, Park/Signal	R/L 4857327AA	2.50
†Included w/Combination Lamp Assy		
6 Adjuster, Lamp Module, DRL	R/L 5104892AA 4606139AB	.3 0.00 71.75

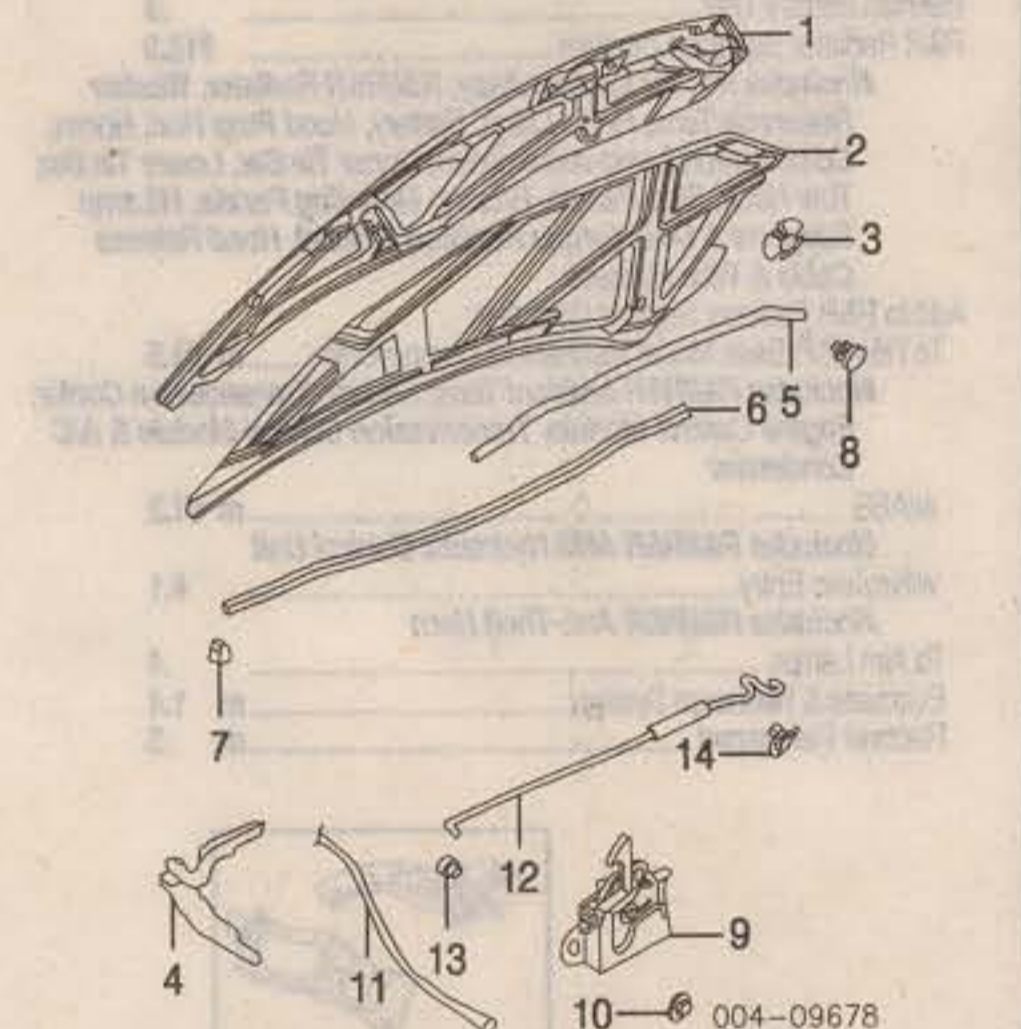
FOG LAMP

R&I Fog Lamp	R/L	#2	
#Included in R&R Front Cover or O/H Front Bumper Assy			
			
1 Lamp, Fog	01-03 R/L 4805392AA 04 R/L 4805391AC	#2	74.85 93.85
#Included in R&R Front Cover or O/H Front Bumper Assy			
Bulb, Fog Lamp	R/L L0009006	#2	10.10
#Included in R&I/R&R Fog Lamp			

HOOD

Use Procedure Explanations 4 and 28 with the following text.

Refinish Hood Outside	24
Add for Underside	1.2
Refinish Hinge	R/L .4
R&I Hood Assy	.5
R&I Washer Nozzle	R/L #2
#Included in R&R Hood	



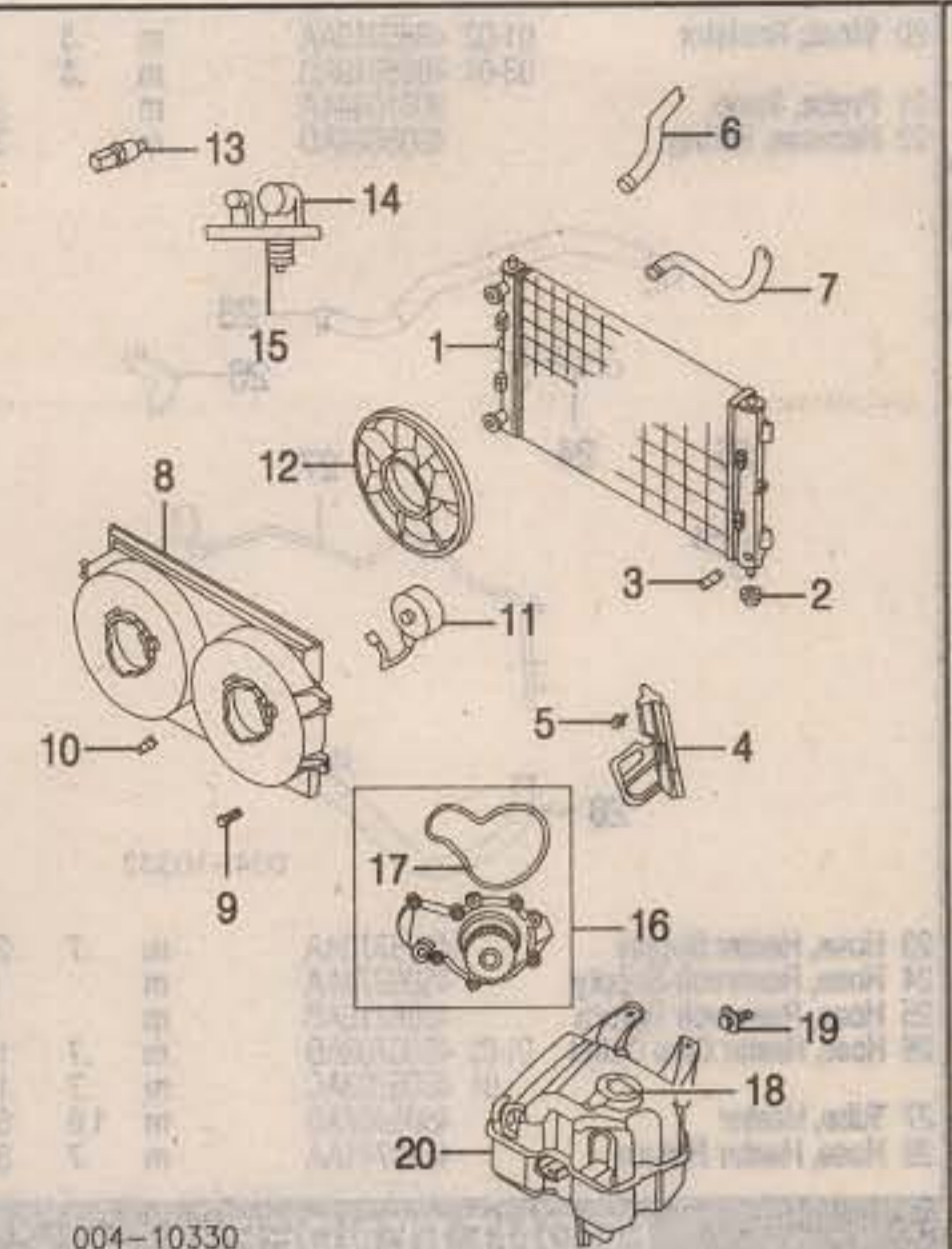
1 Panel, Hood	01-03 4814749AD 04 4814749AE	1.1	335.00
2 Insulator	4878107AD	.3	39.50
3 Clip, Insulator (11)	4878883AA		2.60
4 Hinge, Hood	01-02 R 4814770AC L 4814771AC 03-04 R 4814770AF L 4814771AF	#2	23.25
#w/Hood & Cowl Screen Removed			
5 Seal, Front	4814769AB	.2	27.75
6 Seal, Rear	4878562AB	.1	23.85
7 Seal, Side	R/L 4814776AC		4.20
8 Bumper, Hood	R/L 5253192	.1	2.20
9 Latch, Hood	01-02 4876060AB 03-04 4878060AD	.3	0.00
10 Nut, Hood Latch (4)	01-02 6102167AA 03-04 6102167AA	.3	25.60
11 Cable, Hood Release	4878059AC	.6	25.95
12 Rod, Hood Prop	4814822AC	.1	15.75
13 Bushing, Hood Prop Rod	4880116AA		1.25
14 Clip, Hood Prop Rod Nozzle, Washer-See Windshield Section	6506223AA		1.35

COOLING

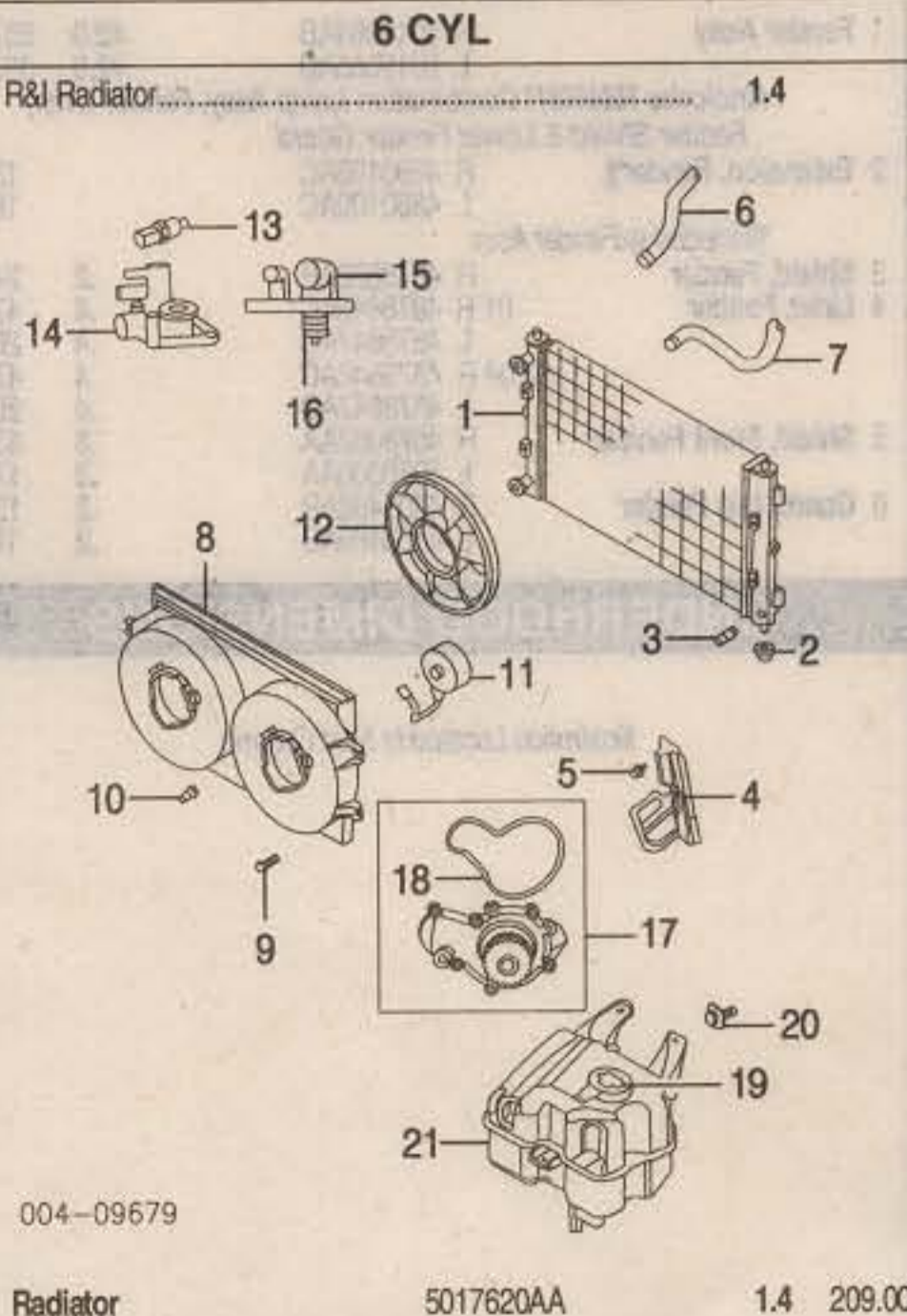
Use Procedure Explanations 5 and 28 with the following text.

R&I Radiator	1.2
--------------	-----

R&I Radiator	1.2
--------------	-----



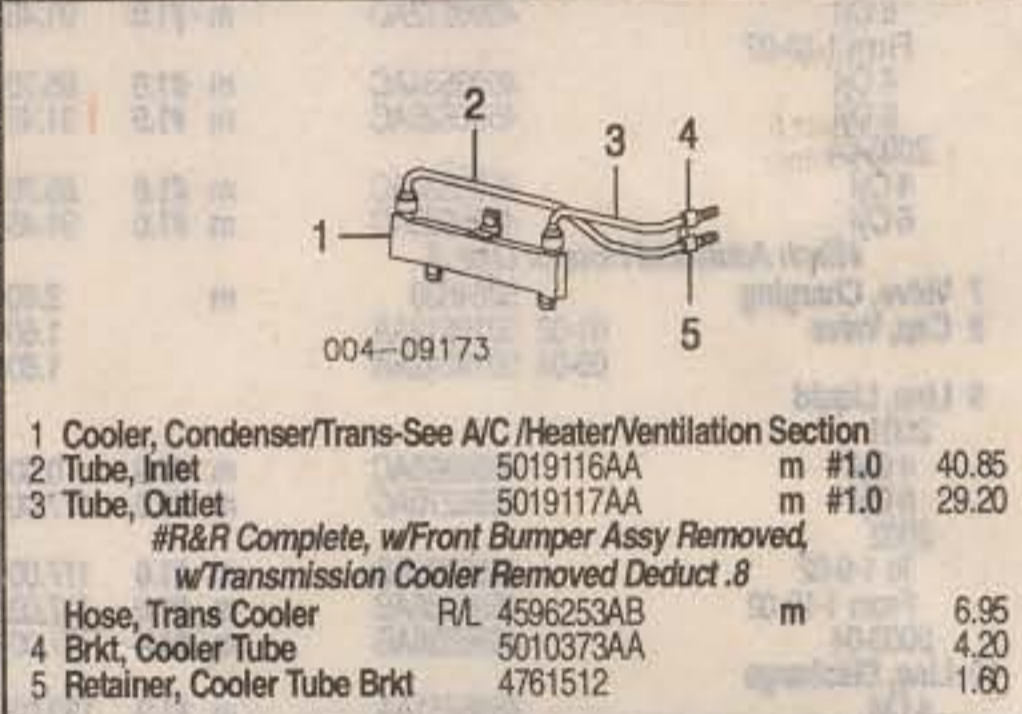
1 Radiator	5017619AA	1.2	295.00
2 Insulator, Rad			
Upper	R/L 4596425AA		4.85
Lower	01-03 R/L 4758300 04 R/L 4758300AB		7.10 7.10
3 Cock, Rad Drain	4644269		3.75
4 Shield, Side Radiator	01-03 R 4805696AB L 4805697AB 04 R 4806049AB L 4806050AB		9.45 10.00 10.00 9.45
5 Retainer, Side Rad Shield (3/Side)	R/L 6506132AA		.75
6 Hose, Upper Rad	4596335AA	.6	16.25
7 Hose, Lower Rad	4596334AA	.8	19.95
8 Shroud, Fan	5019293AA	#.8	86.85
9 Bolt, Fan Shroud (4)	6102003		2.45
10 Clip, Fan Shroud	4646145		0.00
11 Motor, Fan	R/L 5019290AA	#.8	99.70
12 Blade, Fan			
9 Blade	R 5019292AA	#.8	41.95
7 Blade	L 5019291AA	#.8	41.95
#R&R Complete, w/Radiator Removed Deduct .4			
13 Sensor, Coolant Temp	5269870AB	m .3	5.85
14 Housing, Thermostat	4792546AA	#.6	39.60
15 Thermostat	5278144AA	#.6	9.10
#R&R Complete			
16 Pump Assy, Water	01-02 4694307AB 03-04 4694307AC	m 3.8	80.75 83.25
17 Gasket, Water Pump	4621564	m	3.85
†Included w/Water Pump Assy			
18 Cap, Recovery Tank	01-02 4596198 03-04 5014117AA		12.60 2.35
19 Screw w/Washer, Mtg (2)	6034716		2.00
20 Tank, Coolant Recovery	01-02 4596258AC 03-04 4596258AC	.7	20.50 20.50



1 Radiator	5017620AA	1.4	209.00
------------	-----------	-----	--------

2 Insulator, Rad			
Upper	R/L 4596425AA		4.85
Lower	01-03 R/L 4758300 04 R/L 4758300AB		7.10 7.10
3 Cock, Rad Drain	4644269		3.75
4 Shield, Side Radiator	01 R 4805696AA L 4805697AA 02-03 R 4805696AB L 4805697AB 04 R 4806049AB L 4806050AB		9.45 10.00 9.45 10.00 10.00 9.45
5 Retainer, Side Rad Shield (3/Side)	R/L 6506132AA		.75
6 Hose, Upper Rad	4596430AA	.6	17.50
7 Hose, Lower Rad	01-03 4596358AA 04 4596358AB	.8	29.20
8 Shroud, Fan	5019293AA	#.8	86.85
9 Bolt, Fan Shroud (4)	6102003		2.45
10 Clip, Fan Shroud	4646145		0.00
11 Motor, Fan	R/L 5019290AA	#.8	99.70
12 Fan, Blade			
9 Blade	R 5019292AA	#.8	41.95
7 Blade	L 5019291AA	#.8	41.95
#R&R Complete, w/Radiator Removed Deduct .4			
13 Sensor, Coolant Temp	5269870AB	m .3	5.85
14 Housing, Outlet	4792631AA		96.70
15 Housing, Coolant	4792612AA	#2.3	17.00
#Includes R&R Thermostat & Outlet Housing			
16 Thermostat	4792237AB	.9	12.95
17 Pump Assy, Water	4663732	m 3.2	102.00
18 Gasket, Water Pump	4663731AB	m	10.75
†Included w/Water Pump Assy			
19 Cap, Recovery Tank	4596444AA		10.85
20 Screw w/Washer, Mtg (2)	6034716		2.00
21 Tank, Coolant Recovery	01-02 4596260AD 03-04 4596260AF	.7	40.35 41.20

TRANS OIL COOLER



1 Cooler, Condenser/Trans-See A/C/Heater/Ventilation Section			
2 Tube, Inlet	5019116AA	m #1.0	40.85
3 Tube, Outlet	5019117AA	m #1.0	29.20
#R&R Complete, w/Front Bumper Assy Removed, w/Transmission Cooler Removed Deduct .8			
Hose, Trans Cooler	R/L 4596253AB	m	6.95
4 Brkt, Cooler Tube	5010373AA		4.20
5 Retainer, Cooler Tube Brkt	4761512		1.60

A/C REFRIGERANT CAPACITIES

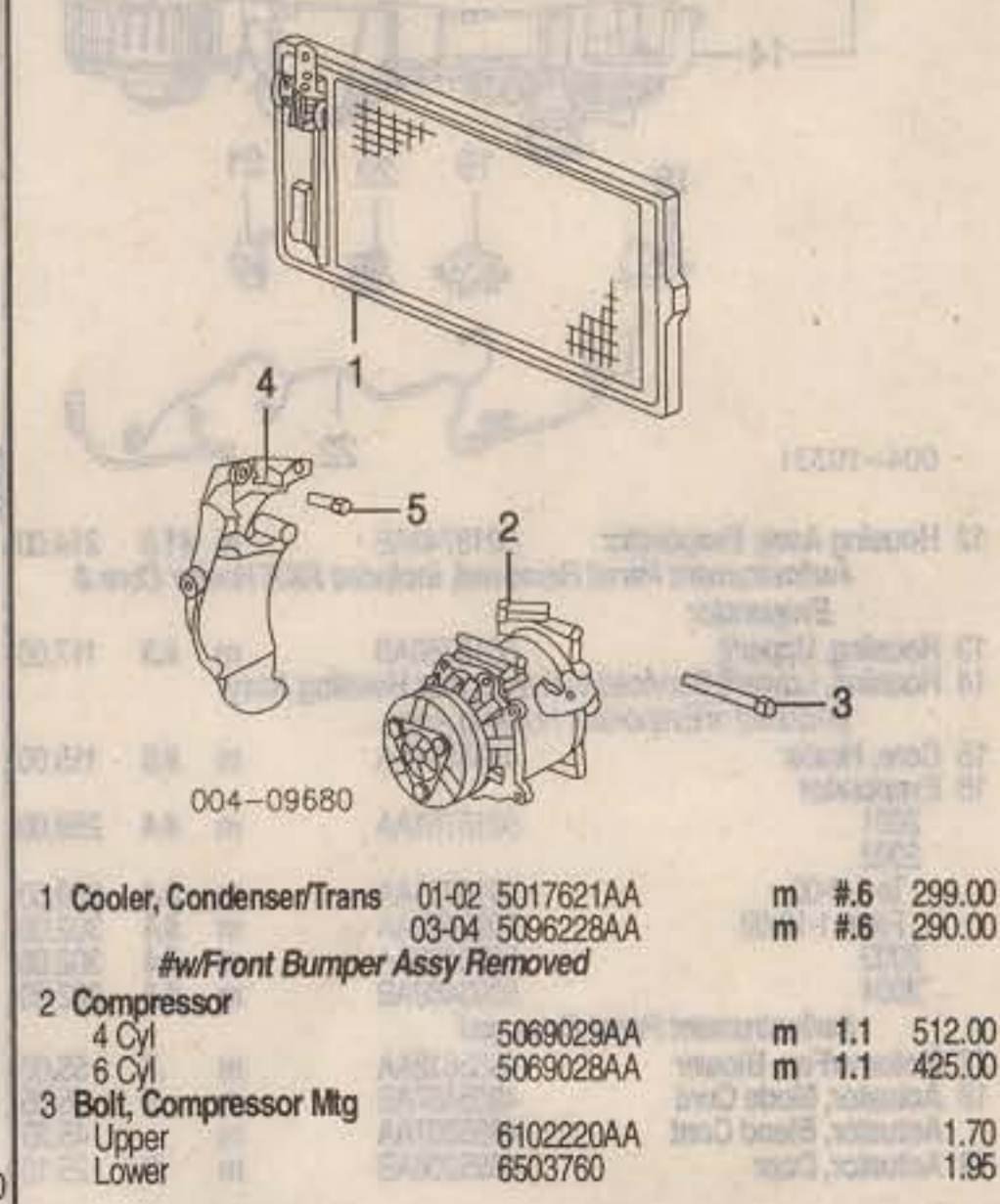
A/C R-134a Refrigerant Capacity
2001-04: 22.5 Ozs (1.40 Lbs)

A/C /HEATER/VENTILATION

Use Procedure Explanation 6 with the following text.

R&I Condenser/Trans Cooler	m #.6
#w/Front Bumper Assy Removed	
Evacuate & Recharge System	m 1.4
Recover Refrigerant	m .3

NOTE: R&R Does Not include recover, evacuate and recharge system.

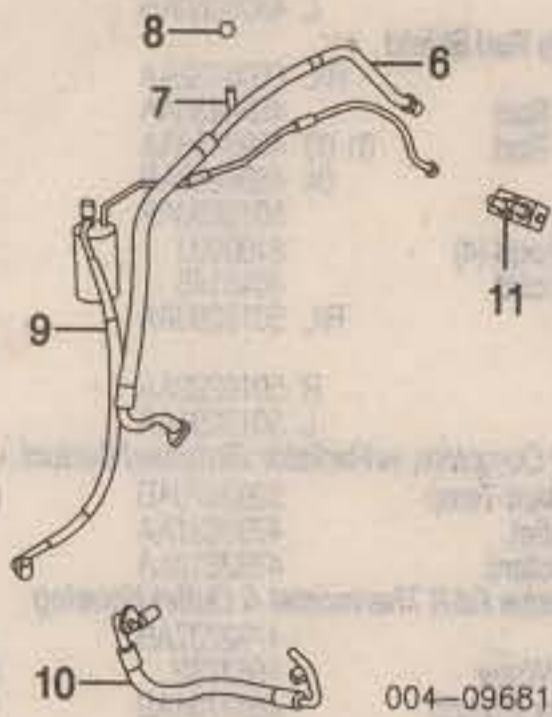


1 Cooler, Condenser/Trans	01-02 5017621AA 03-04 5096228AA	m #.6	299.00
#w/Front Bumper Assy Removed			
2 Compressor			
4 Cyl	5069029AA	m 1.1	512.00
6 Cyl	5069028AA	m 1.1	425.00
3 Bolt, Compressor Mtg			
Upper	6102220AA		1.70
Lower	6503760		1.95

SEBRING CONVERTIBLE 2001-04

A/C /HEATER/VENTILATION Cont'd

4 Bracket, Comp Mtg				
4 Cyl	4792077AE	#3	33.70	
6 Cyl	01 4792415AB	#3	35.85	
	02-04 4792415AB	#3	35.85	
#w/Compressor Removed				
5 Bolt, Mtg Brkt	6101462		1.75	



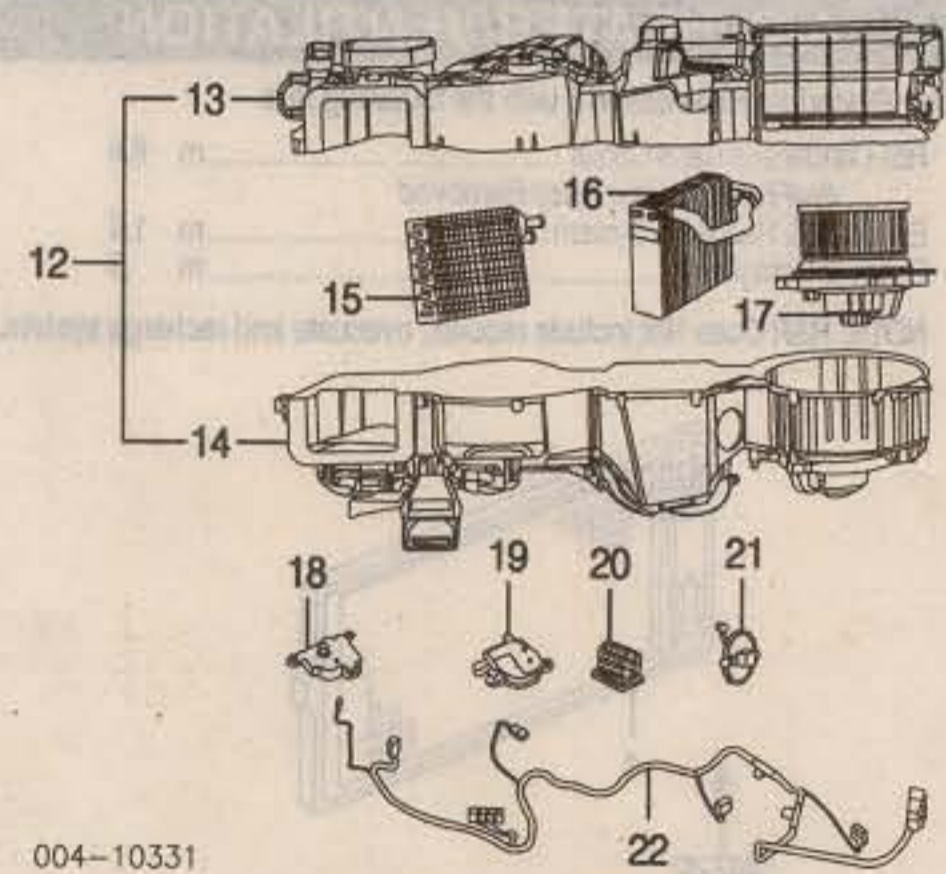
6 Hose, Suction				
2001				
4 Cyl	4596352AB	m #1.0	89.45	
6 Cyl	4596272AC	m #1.0	89.45	
2002				
To 1-9-02				
4 Cyl	4596352AB	m #1.0	89.45	
6 Cyl	4596272AD	m #1.0	91.45	
From 1-10-02				
4 Cyl	4596534AC	m #1.0	85.70	
6 Cyl	4596525AC	m #1.0	91.45	
2003-04				
4 Cyl	4596534AC	m #1.0	85.70	
6 Cyl	4596525AC	m #1.0	91.45	
#Each Additional Hose or Line .5				

7 Valve, Charging	5264638	m	2.60	
8 Cap, Valve	01-02 5019512AA		1.60	
	03-04 5019242AA		1.60	

9 Line, Liquid				
2001				
4 Cyl	4596396AC	m #1.0	0.00	
6 Cyl	4596270AC	m #1.0	117.00	
2002				
To 1-9-02				
4 Cyl	4596270AC	m #1.0	117.00	
6 Cyl	4596536AB	m #1.0	117.00	
From 1-10-02				
4 Cyl	4596536AB	m #1.0	117.00	
6 Cyl	4596536AB	m #1.0	117.00	

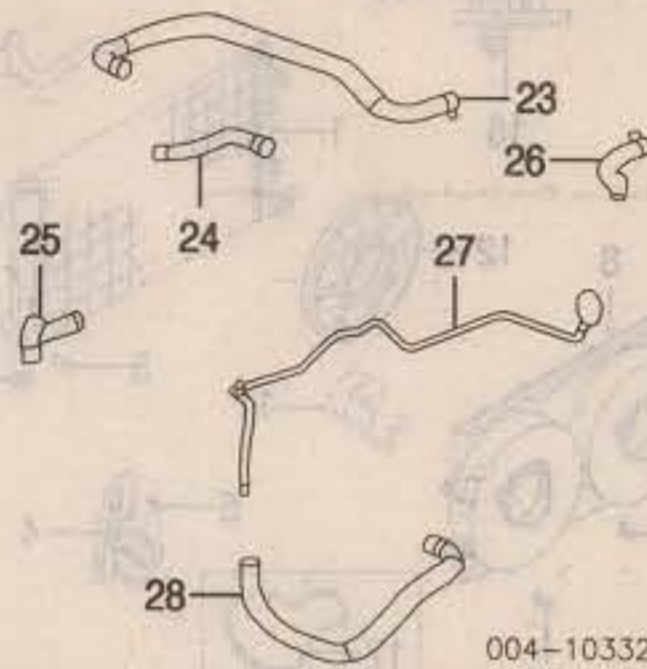
10 Line, Discharge				
4 Cyl	4596451AA	m #1.0	133.00	
6 Cyl	4596271AA	m #1.0	133.00	
#Each Additional Hose or Line .5				

11 Valve, Expansion	01-02 4596318AA	m 1.0	44.20	
	03-04 5093476AA	m 1.0	157.00	



12 Housing Assy, Evaporator	5018749AB	m #1.0	314.00	
#w/Instrument Panel Removed, Includes R&R Heater Core & Evaporator				
13 Housing, Upper	5018750AB	m #3	117.00	
14 Housing, Lower	Serviced w/Evaporator Housing Assy			
Included w/Evaporator Housing Assy				
15 Core, Heater	4885891AA	m #6	115.00	
16 Evaporator				
2001	5018751AA	m #4	259.00	
2002				
To 1-9-02	5018751AA	m #4	259.00	
From 1-10-02	5093469AA	m #4	302.00	
2003	5093469AA	m #4	302.00	
2004	5093469AB	m #4	302.00	
#w/Instrument Panel Removed				
17 Motor w/Fan, Blower	4885612AA	m .7	55.00	
18 Actuator, Mode Cont	4885457AB	m .8	45.85	
19 Actuator, Blend Cont	4885207AA	m	45.35	
19 Actuator, Door	4885206AB	m .6	25.10	

20 Block, Resistor	01-02 4885919AA	m .3	4.85	
	03-04 4885919AB	m .3	4.95	
21 Probe, Temp	5061064AA	m	25.20	
22 Harness, Wiring	4608624AD	m	37.25	



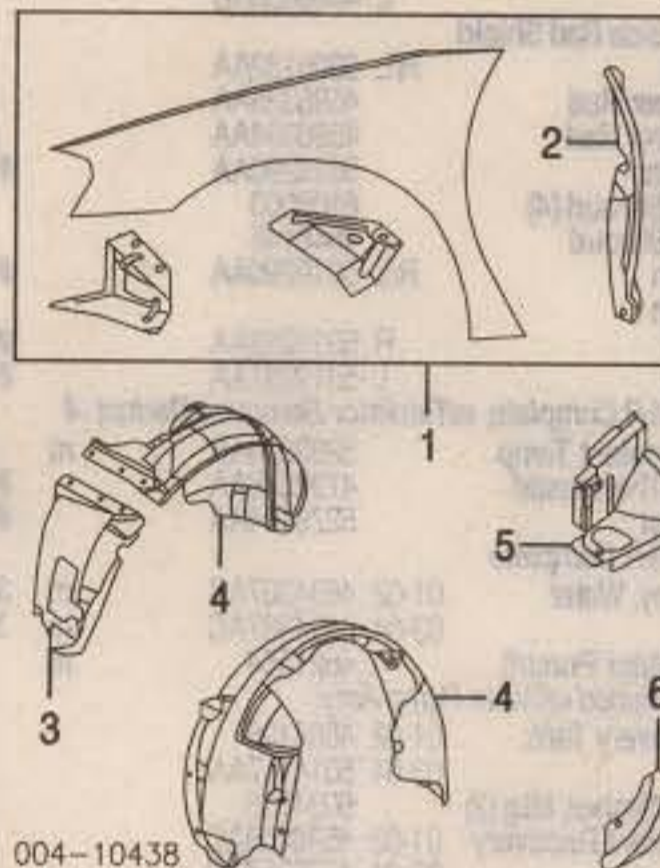
23 Hose, Heater Supply	4596713AA	m .7	23.00	
24 Hose, Reservoir Supply	4596274AA	m	6.25	
25 Hose, Reservoir Return	4596716AB	m	9.35	
26 Hose, Heater Core Outlet	01-03 4596703AB	m .7	12.70	
	04 4596703AC	m .7	12.70	
27 Tube, Heater	4596467AB	m 1.6	61.95	
28 Hose, Heater Return	4596741AA	m .7	34.50	

FRONT FENDER

Use Procedure Explanations 7 and 28 with the following text.

Refinish Fender Outside	R/L	1.7
Add to Edge	R/L	.5
Refinish Stone Guard	R/L	.3
R&I Fender Assy	R/L	#1.7

#Includes R&I/R&R Combination Lamp Assy, Fender Liner, Fender Shield & Lower Fender Guard

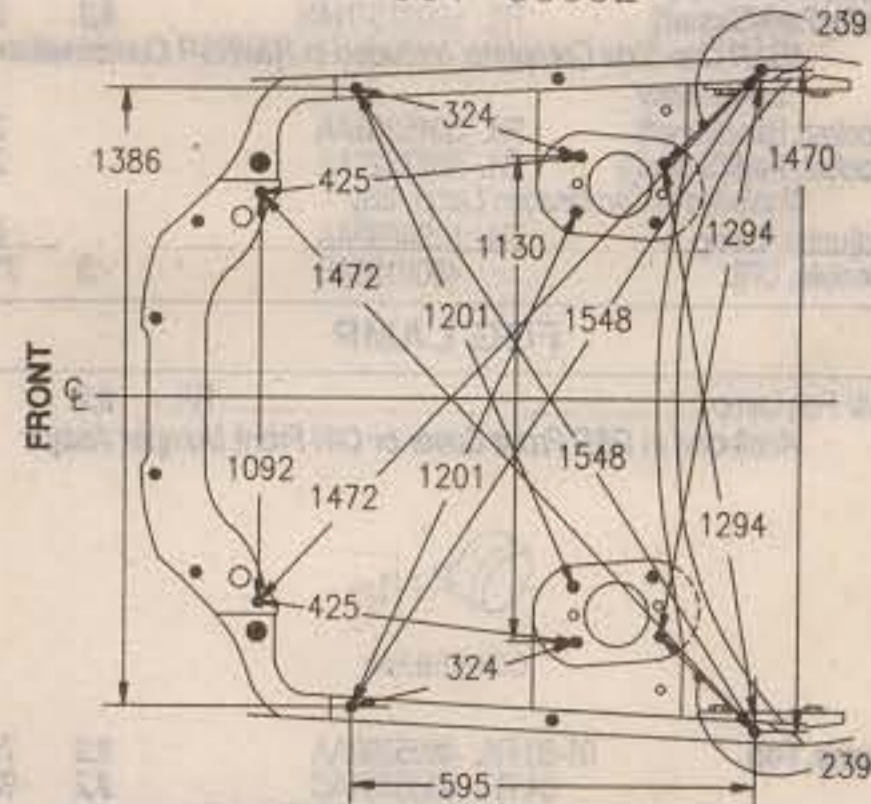


1 Fender Assy	R 5019064AB	#2.0	337.00
	L 5019065AB	#2.0	337.00
#Includes R&I/R&R Combination Lamp Assy, Fender Liner, Fender Shield & Lower Fender Guard			
2 Extension, Fender	R 4880108AC		15.75
	L 4880109AC		16.00
#Included w/Fender Assy			
3 Shield, Fender	R 4878822AB	.2	24.20
	01 R 4878646AC	.4	47.85
	L 4878647AC	.4	26.75
	02-04 R 4878646AC	.4	47.85
	L 4878647AD	.4	28.10
5 Shield, Front Fender	R 4878062AA	.3	45.85
	L 5056006AA	.3	17.95
6 Guard, Lwr Fender	R 4805498AB	.2	13.10
	L 4805499AB	.2	11.85

UNDERHOOD DIMENSIONS

Illustration Located in Next Column

061-30032

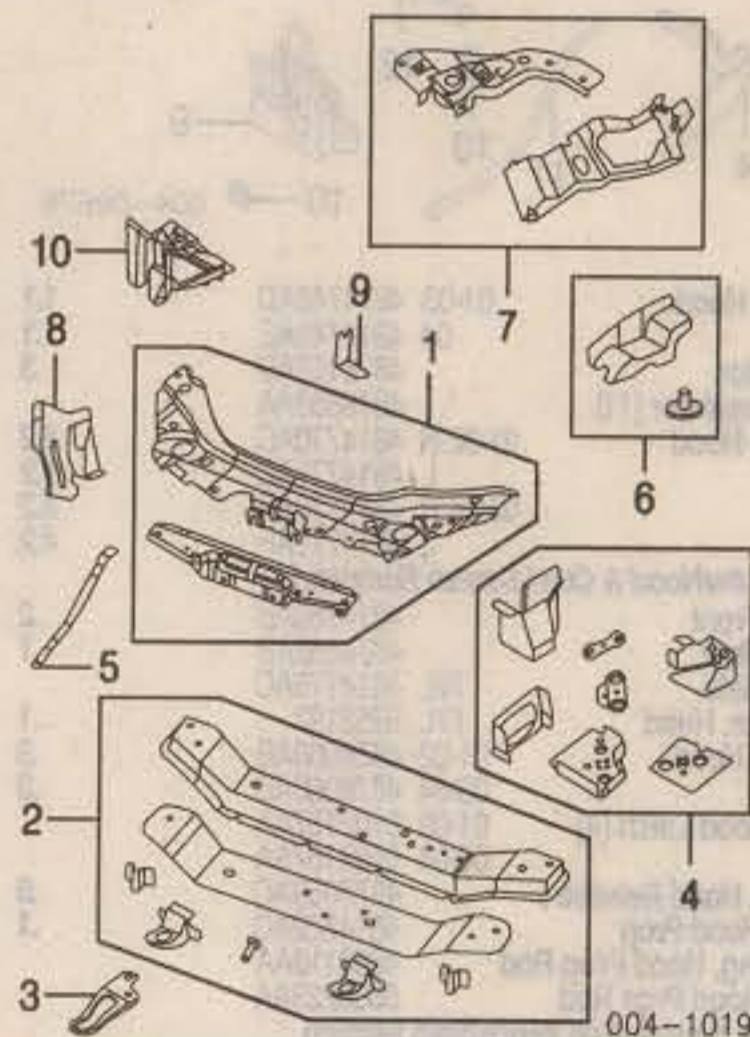


FRONT INNER STRUCTURE

Use Procedure Explanations 8 and 28 with the following text.

FRONT

Refinish Radiator Support Complete		1.5
Refinish Upper Tie Bar		.5
Refinish Lower Tie Bar		.5
Refinish Side Panel	R/L	.5
Refinish H/Lamp Mtg Panel	R/L	.5
Refinish H/Lamp Support	R/L	.3
Refinish Battery Tray		.3
R&R Radiator Support Complete		#12.0
#Includes R&I Air Cleaner Assy, R&I/R&R Radiator, Washer Reservoir Tank, Hood Latch, Battery, Hood Prop Rod, Horns, Combination Lamp Assemblies, Upper Tie Bar, Lower Tie Bar, Tow Hook, Side Panels, H/Lamp Mounting Panels, H/Lamp Supports & D&C Torque Reaction Bracket, Hood Release Cable & Wire Harness		
Add to R&R Radiator Support Complete		
To R&I/R&R Base Model Mechanical Components	m	#1.5
#Includes R&I/R&R Ambient Temp Sensor, Transmission Cooler, Engine Control Module, Transmission Control Module & A/C Condenser		
w/ABS	m	#1.2
#Includes R&I/R&R ABS Hydraulic Control Unit		
w/Keyless Entry		#1
#Includes R&I/R&R Anti-Theft Horn		
To Aim Lamps		.4
Evacuate & Recharge System	m	1.4
Recover Refrigerant	m	.3



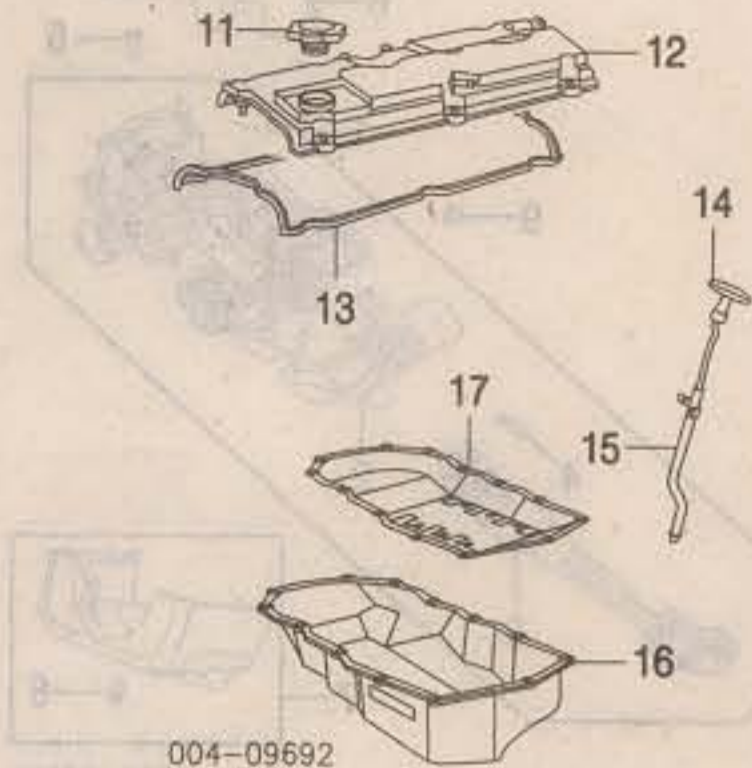
1 Bar, Upper Tie	01-03 4814722AA	.5	95.75
	04 4814722AB	.5	95.75
2 Bar, Lower Tie	01 4814975AD	.5	179.00
	02-04 4814975AF	.5	179.00
3 Hook, Tow	4878290AA		28.70
4 Panel, Side	R 4696368	s 3.0	82.20
	L 4696369	s 3.0	103.00
5 Brace, Cross	R 4814716AA	.1	16.85
	L 4814717AA	.1	16.85
6 Brkt, Susp Support	R 4878618AA		58.85
	L 4878619AA		58.85
7 Panel, H/Lamp Mtg	01 R 4814728AC	s 1.5	80.10
	L 4814729AC	s 1.5	72.85
	02-03 R 4814728AC	s 1.5	80.10

SEBRING CONVERTIBLE 2001-04

ENGINE/TRANS Cont'd

4 CYL Cont'd

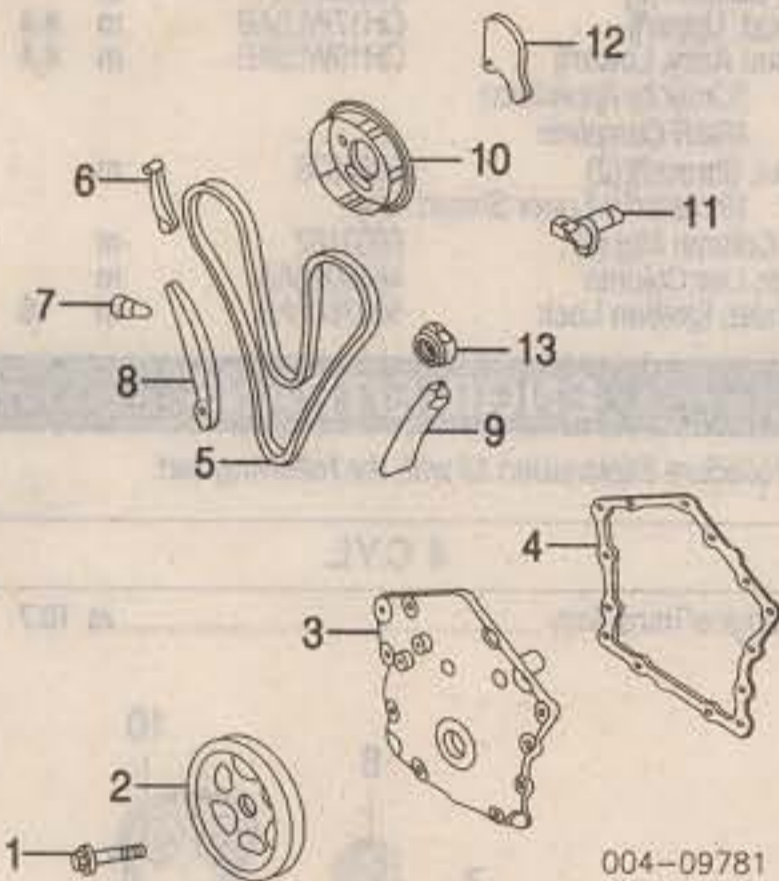
03-04 4781593AA m 54.35



11 Cap, Oil Filler	01-02 4648831AA			7.10
	03-04 4648831AA			7.10
12 Cover, Valve	01-02 4792807AA	m .8		97.50
	03-04 4792804AA	m .8		106.00
13 Gasket, Valve Cover	4781639AB	m		72.10
14 Dipstick, Eng Oil	4792148AB			5.45
15 Tube, Eng Dipstick	01-02 4792315AE		.5	6.95
	03-04 4792315AE		.5	6.95
16 Pan, Eng Oil	4894525AB	m 1.3		0.00
17 Gasket, Eng Oil Pan	4621579	m		31.70
Pan, Trans Oil	01 4431997	m .8		35.95
	02-04 4431997	m .8		35.95

6 CYL

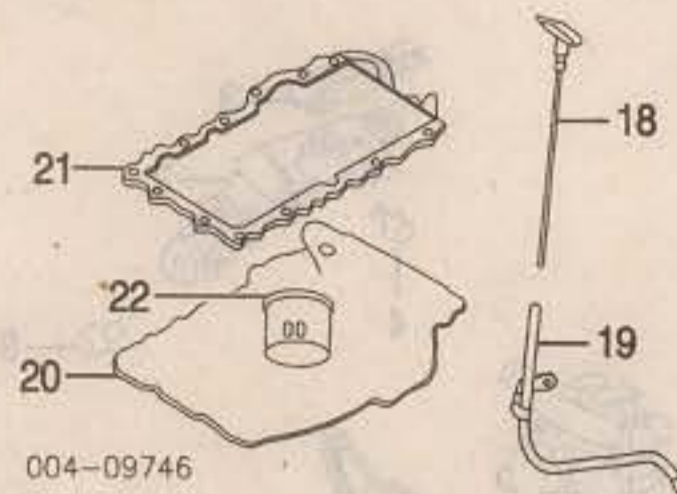
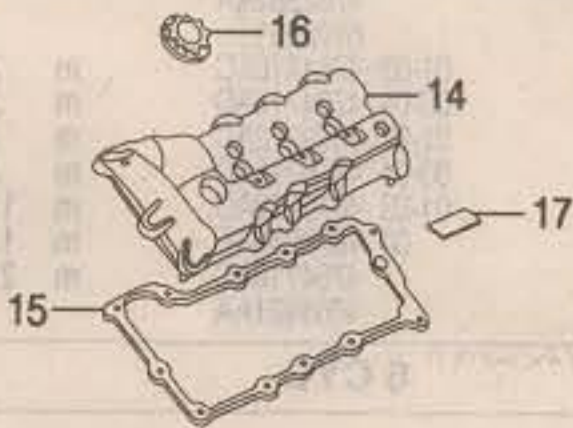
R&I Engine/Trans Assy m 11.3



1 Bolt, Crankshaft Damper	6505840AA			2.45
2 Damper, Crankshaft	4792460AA	m 1.1		74.50
3 Cover, Timing	4792604AA	m #1.9		80.25
<i>#Includes R&R Crankshaft Damper</i>				
4 Gasket, Timing Cover	4792006AB	m		26.85
5 Belt, Timing	4663635	m #4.5		140.00
<i>#Includes R&R Crankshaft Damper & Timing Cover</i>				
6 Guide, Timing Belt	4792104	m		16.60
7 Adjuster, Guide	4792443AB	m		135.00
8 Arm, Tensioner	4663634AB	m #.1		30.50
9 Guide, Timing Belt	4663636	m #.1		22.20
10 Sprocket, Camshaft	R 4792306	m #.2		36.50
	L 4792305	m #.2		56.35
<i>#w/Timing Belt Removed</i>				
11 Sensor, Camshaft	01-02 5016736AA	m .6		60.00
	03-04 4609089AG	m .6		40.45
12 Guide, Timing Belt	4663637	m		14.45
13 Sprocket, Crankshaft	4663632	m #.2		21.00
<i>#w/Timing Belt Removed</i>				

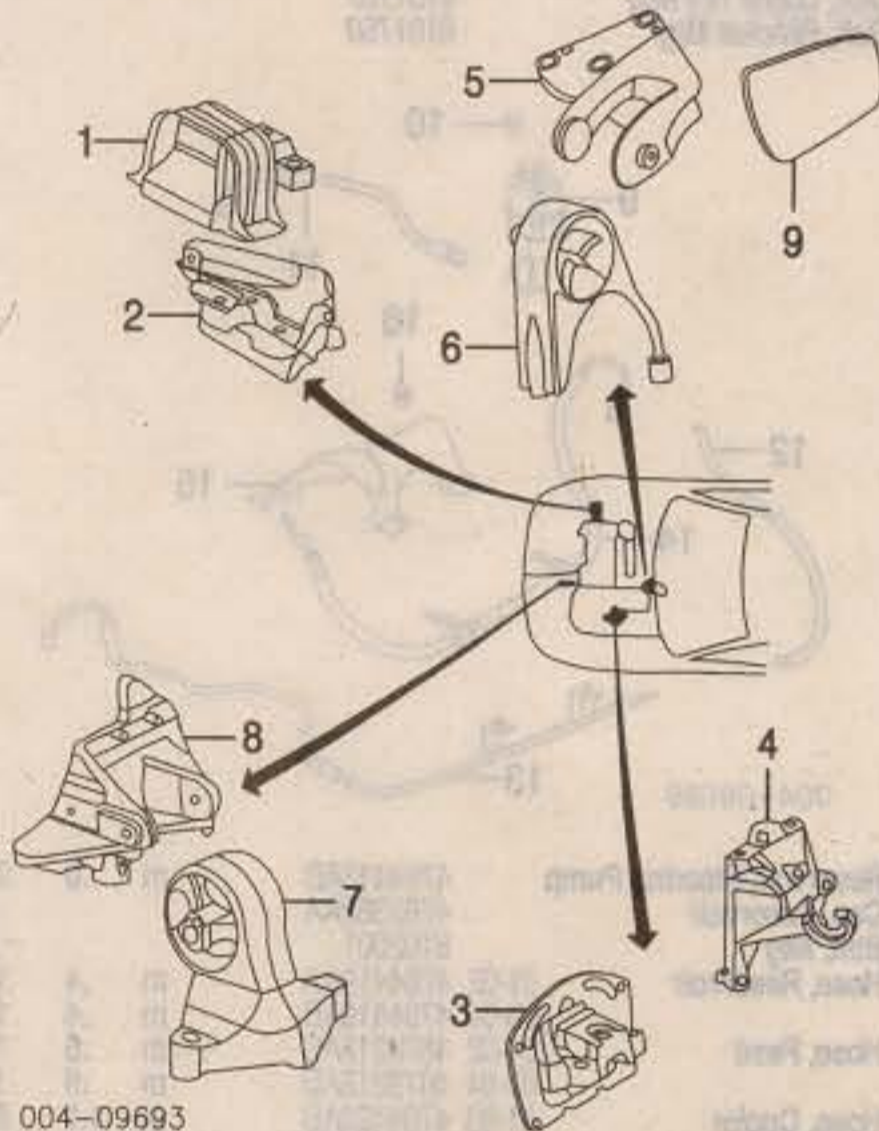
Illustration Located in Next Column

14 Cover, Valve	01-03 R 4663704AB	m #1.0		129.00
	L 4663703AB	m #.7		137.00
	04 R 4663704AB	m #1.0		129.00
	L 4663703AE	m #.7		137.00
<i>#R&R Both Sides 1.5</i>				
15 Gasket, Valve Cover	R 4663980AB	m		13.84
	L 4663713AB	m		14.70
16 Cap, Oil Filler	4792298			6.85



17 Nameplate (Adhesive) "2.7L DOHC 24 Valve"	4792655AA		.2	9.25
18 Dipstick, Eng Oil	4792385AA			5.20
19 Tube, Eng Dipstick	4792384AA		.5	9.95
20 Pan, Eng Oil	4792366AA	m 1.6		94.70
21 Gasket, Eng Oil Pan	4792608AA	m		25.50
22 Filter, Eng Oil	5281090	m		6.60
Pan, Trans Oil	4431997	m .8		35.95

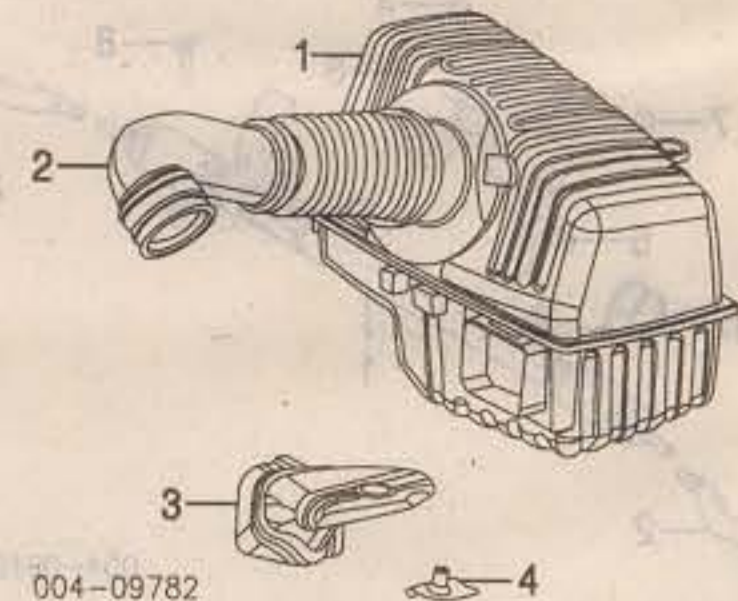
ENGINE/TRANS MOUNTS



1 Support, Front Eng Mount				
4 Cyl	4573773		.6	116.00
6 Cyl	4578001AA		.5	94.00
2 Brkt, Front Eng Mount				
4 Cyl	01 4573778AC		#.2	39.95
	02 4593282AC		#.2	31.00
	03-04 4593282AD		#.2	31.35
<i>#w/Right Engine Mount Support Removed</i>				
3 Support, Rear Eng Mount	01-02 4573775AB		#.7	116.00
	03-04 4573775AB		#.7	116.00
4 Brkt, Rear Eng Mount	4573776		#.7	31.85
<i>#R&R Complete</i>				
5 Brkt, Torque Reaction				
4 Cyl	R 4593253AF		#.2	80.50
6 Cyl	R 4593289AB		#.2	45.50
<i>#w/Eng Support Module Removed</i>				
6 Module, Front Eng Supt	01-02 4593383AA		.5	70.00
	03-04 4578020AB		.5	73.85
7 Module, Rear Eng Supt	01-02 4593337AB		.5	73.95
	03-04 4578019AB		.5	89.35
8 Brkt, Torque Reaction				
4 Cyl	01-02 L 4573761AD		#.2	43.20
	03-04 L 4573761AD		#.2	43.20
6 Cyl	01-02 L 4573763AB		#.2	42.85
	03-04 L 4573763AC		#.2	35.45
<i>#w/Eng Support Module Removed</i>				
9 Shield, Heat	R 4593528AB		d10.35	

AIR CLEANER

R&I Air Cleaner Assy3



1 Cleaner, Air				
4 Cyl	5016999AA		.3	121.00
6 Cyl	5017001AA		.3	118.00
Element, Air Cleaner	5011836AA		.2	14.35
Sensor, Temp	4606487AB	m		27.45
2 Hose, Air Cleaner				
4 Cyl	5017000AA		.2	31.85
6 Cyl	5017002AA		.2	30.85
3 Duct, Air	4591461AA		.1	17.60
4 Grommet, Air Cleaner (2)	4268295			2.95

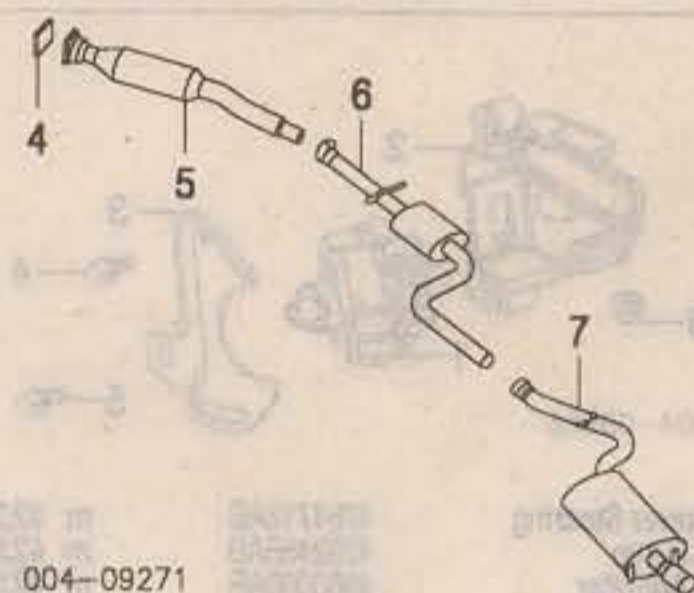
EXHAUST

4 CYL

R&R Exhaust System Complete #1.9
#Does Not Include R&R Exhaust Manifold & Shields



1 Shield, Upper Heat	4792540AA			16.95
2 Manifold, Exhaust	4792538AA	m 1.3		146.00
3 Shield, Lower Heat	4792541AB			18.50



4 Gasket, Front Pipe	4616671			7.95
5 Converter, Catalytic				
2001-02	4764618AC		1.0	450.00
2003-04	4764618AD		1.0	108.00
6 Pipe, Intermediate	01-03 4764930AB		1.1	152.00
	04 4764930AC		1.1	152.00
7 Muffler w/Pipe	01-03 4764840AA		.8	232.00
	04 4764840AB		.8	232.00

6 CYL

R&R Exhaust System Complete #3.3
#Does Not Include R&R Exhaust Manifolds & Heat Shields

Illustration Located in Next Column

1 Manifold, Exhaust	01-02 R 4792387AA	m 1.8		145.00
	L 4792386AB	m 1.3		145.00
	03-04 R 4792387AB	m 1.8		131.00
	L 4792386AB	m 1.3		145.00
2 Shield, Heat	R 4792390AB			13.45
	L 4792392AA			13.45
3 Shield, Heat	4792652AB			8.50

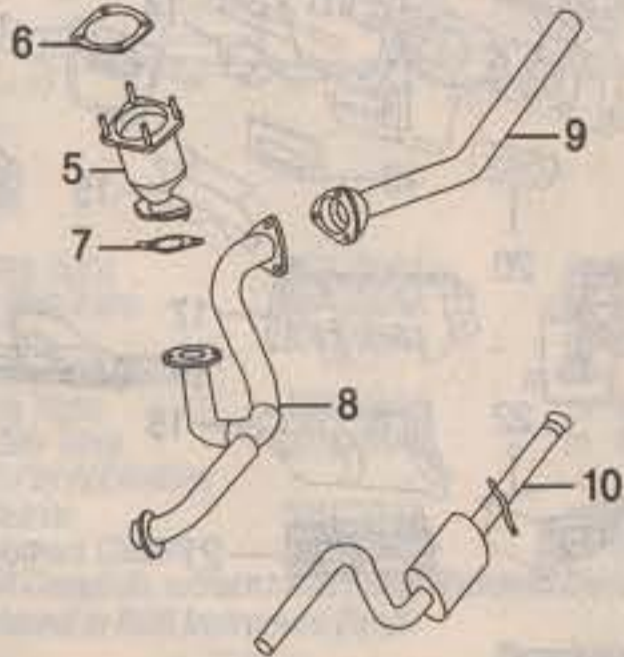


004-09780

4 Bolt, Shield Mtg (3)

6506477AA

1.35



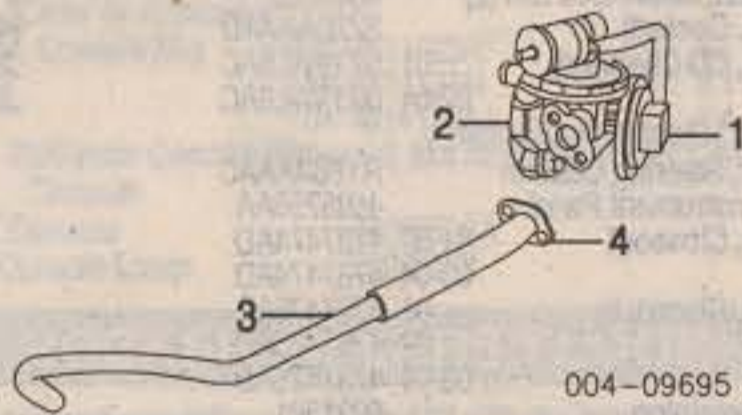
004-09783

5 Converter, Catalytic

01 R	4764646AB	1.3	295.00
L	4764639AC	.8	307.00
02-03 R	4764646AC	1.3	295.00
L	4764639AD	.8	307.00
04 R	4764646AD	1.3	69.10
L	4764639AE	.8	227.00
01-03 R/L	4764660AA		10.50
04 R/L	4764660AB		10.95
R/L	4764200		10.85
01	4765644AC	1.0	0.00
02-03	4765644AD	1.0	0.00
04	4764644AE	1.0	109.00
	4764645AA	.9	229.00
01-03	4764930AB	.9	152.00
04	4764607AD	.9	152.00
01	4764842AB	.7	290.00
02-04	4764842AE	.7	294.00
	4878869AA	#.3	12.75
	4696287AB	#.3	9.35

#w/Exhaust Pipes Removed

EMISSION SYSTEM

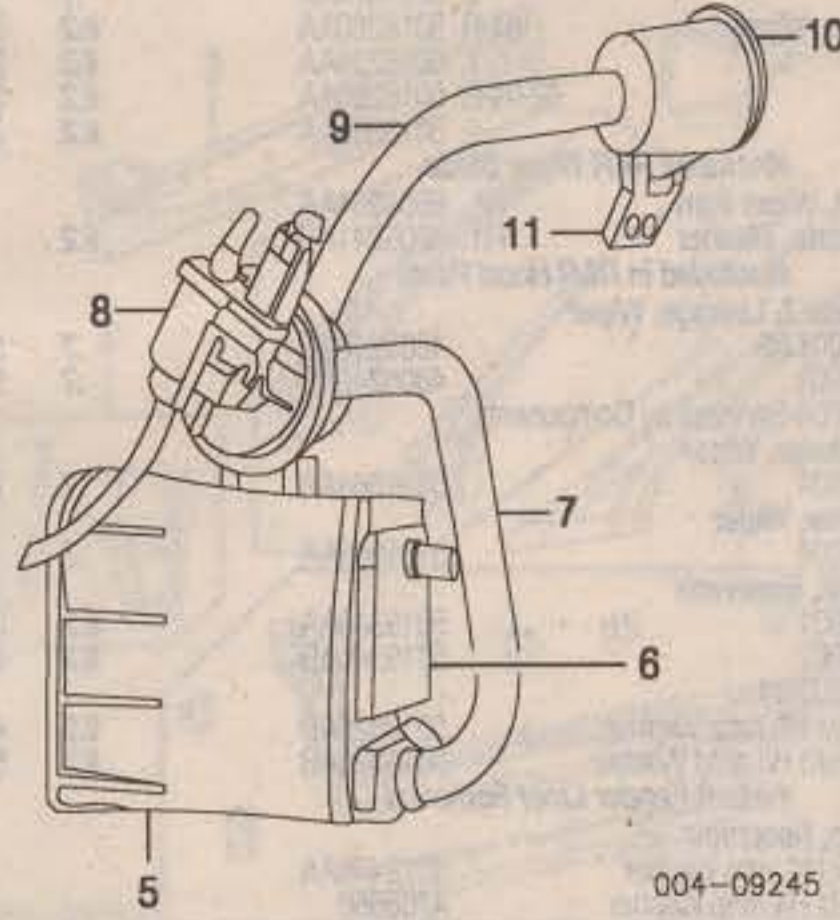


004-09695

1 Valve, EGR

4 Cyl	01-02 4627330AA	m .6	52.50
	03-04 N.A.	m .6	0.00
6 Cyl	01-02 4591814AB	m .6	123.00
	03-04 N.A.	m .6	0.00
4 Cyl	4663247AB	m	5.75
6 Cyl	4792484AA	m	7.10
4 Cyl	01-02 4591431AA	m #1.1	44.95
	03-04 N.A.	m #1.1	0.00
6 Cyl	01-02 4591416AA	m #1.1	99.10
	03-04 N.A.	m #1.1	0.00
4 Cyl	01-02 5277928	m	1.95
	03-04 N.A.	m	0.00
6 Cyl	01-02 4591415AA	m #1.1	16.10
	03-04 N.A.	m #1.1	0.00

#R&R Complete, Includes R&R EGR Valve

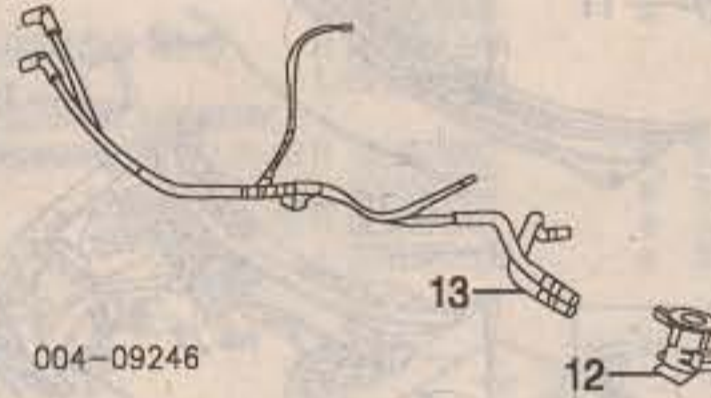


004-09245

5 Canister, Vapor

2001-02	4764060	m 1.0	58.25
2003-04			
4 Cyl	4891386AD	m 1.0	78.35
6 Cyl	4581460AA	m 1.0	58.25
01-02	4885573AA		29.35
03-04	5061194AA		4.20
01-02	4879163AA	m	6.95
03-04	4879361AA	m	3.25
01-02	4891419AA	m 1.3	111.00
03-04	4891414AC	m 1.3	118.00
01-02	4581236	m .8	23.75
03-04	4879382AA	m .8	0.00
	4581242AA		17.95

11 Brkt, Vapor Filter



004-09246

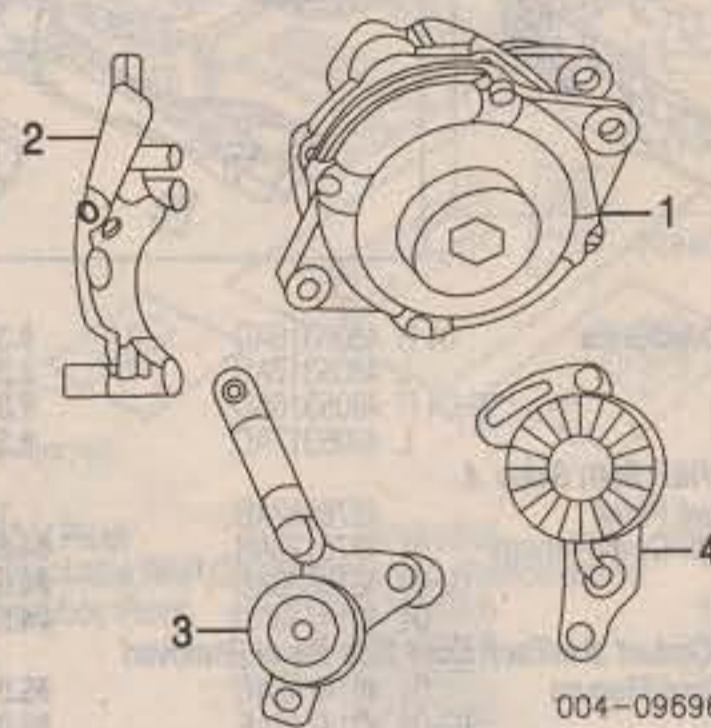
12 Solenoid, Purge

	4591733AA	m .3	45.50
13 Harness, Vacuum Vapor			
4 Cyl	4591455AA	m .5	45.00
6 Cyl	4591679AA	m .5	41.60

†Order by Application

ELECTRICAL

ALTERNATOR

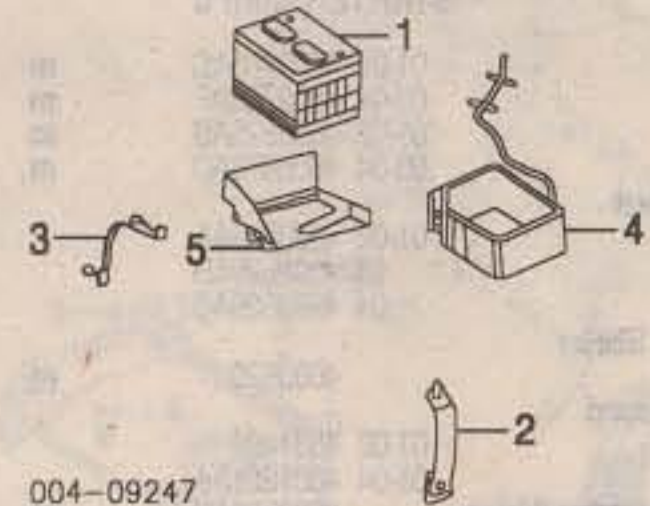


004-09696

1 Alternator

01-02	4606755AB	m .8	294.00
03-04	4606755AB	m .8	294.00
4 Cyl	01-02 4861551AA		34.00
6 Cyl	03-04 4861550AA		50.45
	01-02 4792415AB		35.85
	03-04 4792415AB		35.85
4 Cyl	01 4792495AC	.7	91.25
	02 4792495AC	.7	91.25
	03-04 4792996AA	.7	24.35
6 Cyl	01-03 4792410AB		22.00
	04 4792410AC		22.50

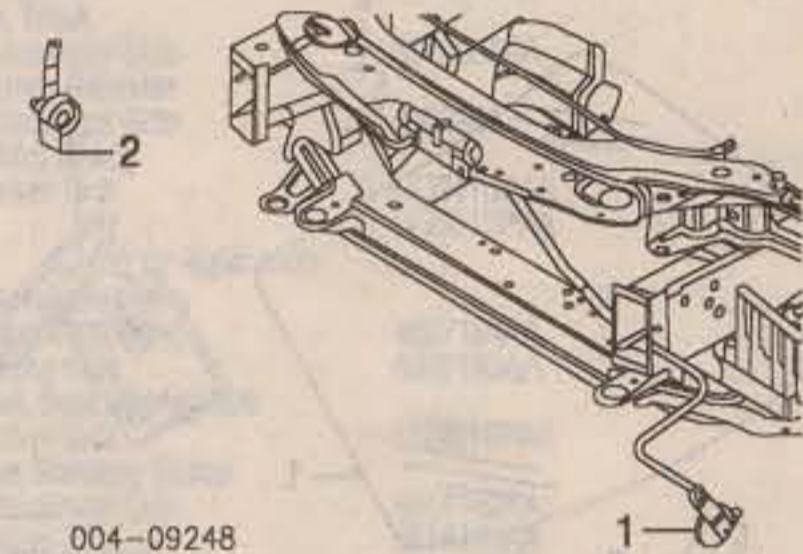
BATTERY



004-09247

1 Battery	N.A.	.2	0.00
2 Retainer, Batt Hold-Down	4696951		12.35
3 Strap, Battery	5056017AB		17.50
Bolt w/Washer (2)	6101636		2.75
Nut w/Washer	6100050		.50
4 Heater, Battery	4609111AA	.5	62.75
5 Tray, Battery-See Front Inner Structure Section		1.0	43.00
Cable, Positive Battery	4608720AB	.8	25.20
Cable, Negative Battery	01-02 4608620AC	.8	25.20
	03-04 4608620AC	.8	25.20

HORN



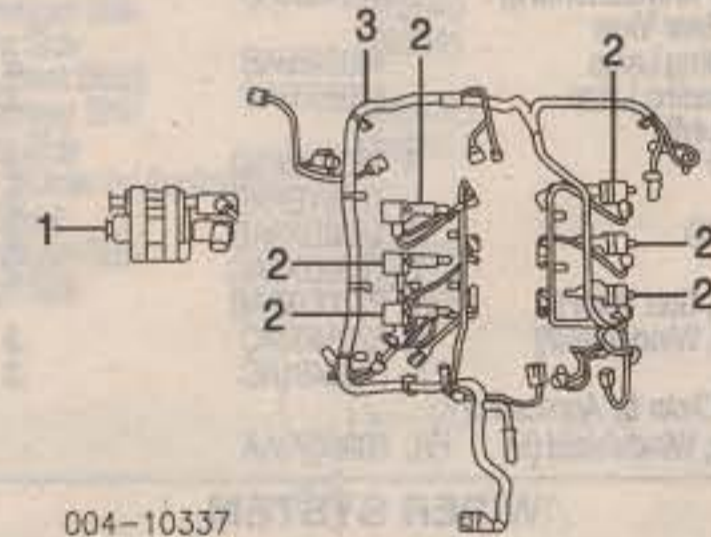
004-09248

1 Horn, High Note	4609108AB	#.2	16.70
2 Horn, Low Note	01-03 4609109AB	#.2	16.50
	04 4609109AC	#.2	16.70

#w/Combination Lamp Assy Removed

IGNITION

R&R Ignition Coils Complete			
6 Cyl.....		m .6	



004-10337

Coil, Ignition

1 4 Cyl	01-03 5269670	m .4	110.00
	04 4609103	m .4	114.00
2 6 Cyl (6)	01-02 4609095AH	m #.2	30.45
	03-04 4609095AI	m #.2	31.35

#R&R Three or More .6

3 Harness, Engine Wiring

6 Cyl	01 4608491AE	m 2.1	765.00
	02 4608491AE	m 2.1	765.00
	03-04 5087005AB	m 2.1	285.00

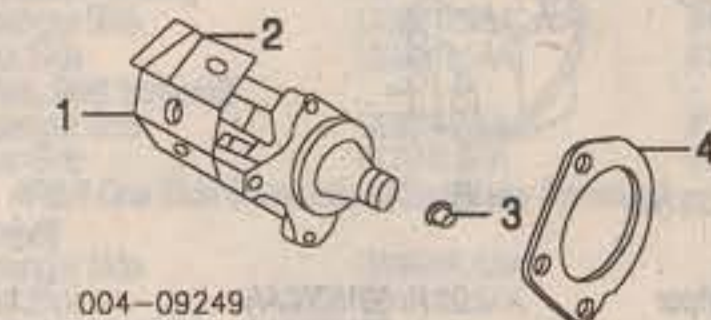
Module, Engine Control

4 Cyl	4896033AF	m .5	402.00
6 Cyl	4896780AC	m .5	379.00

†Order by Application

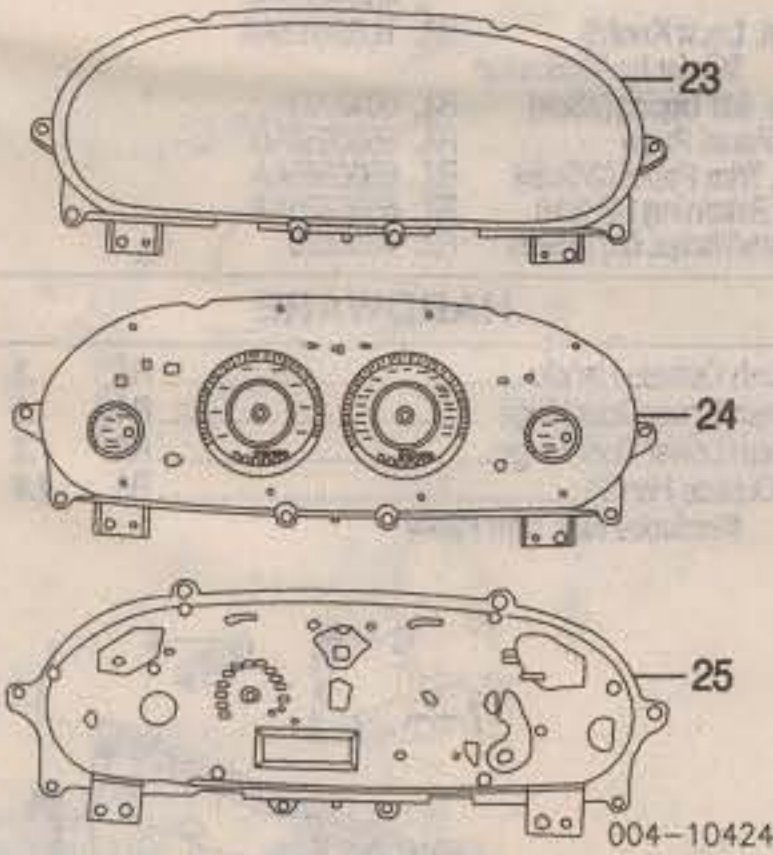
Brkt, Eng Control Module	4606367AB		23.25
--------------------------	-----------	--	-------

STARTER



004-09249

1 Starter



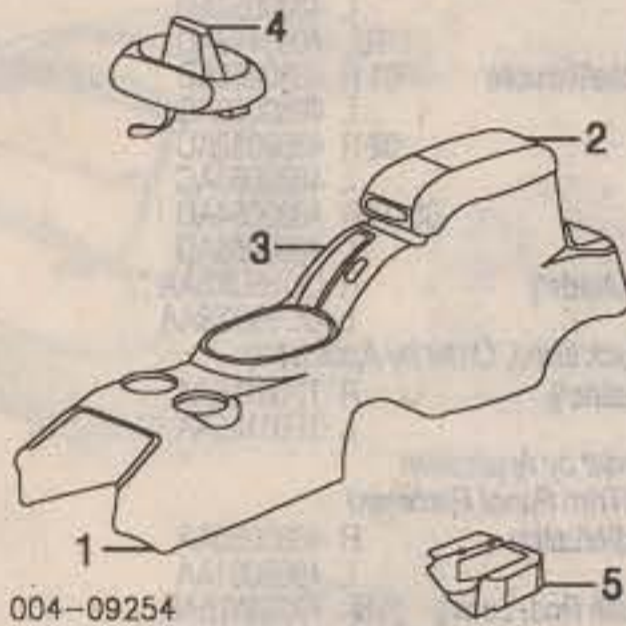
23 Mask w/Lens 2001-03 w/Auto Stick Trans w/o Auto Stick Trans 2004	5011736AA 5011735AA 5011735AA	m #1.0 m #1.0 m #1.0	59.60 25.50 25.50
24 Cluster, Instrument Panel w/Auto Stick Trans w/o Auto Stick Trans Order by Application	4760936AD 5026194AD	m #1.0 m #1.0	462.00 472.00
25 Housing, Cluster Cover, Instrument Cluster R&R Complete, w/Instrument Panel Removed Deduct .6, Not Included in R&R Instrument Panel	5011737AA 5015495AA	m #1.0 m #1.0	0.00 2.35

CENTER CONSOLE

Use Procedure Explanation 14 with the following text.

R&I Center Console5

NOTE: All Parts in this section are included in R&R Floor Console unless noted otherwise.



1 Console, Floor	01 RE921LBAE 02 RE921LBAF 03 RE931TMAC 04 YC581DVAB	.8 .8 .8 .8	229.00 237.00 255.00 200.00
2 Armrest, Console	UP131LBAA	2	76.95
3 Switch w/Bezel, Power Top	4608633AD		18.95
4 Bezel w/Lamp, Indicator	QF241DVAB	3	60.00
5 Bracket, Console Mtg	01-02 4814123AF 03 4814123AI 04 4814123AJ	#1 #1 #1	57.70 52.35 52.35

#w/Center Console Removed, Not Included in R&R Center Console

Lamp, Console	4608692AA	14.50
Bulb, Console Lamp	L0000562	1.41

ROCKER/PILLARS/FLOOR

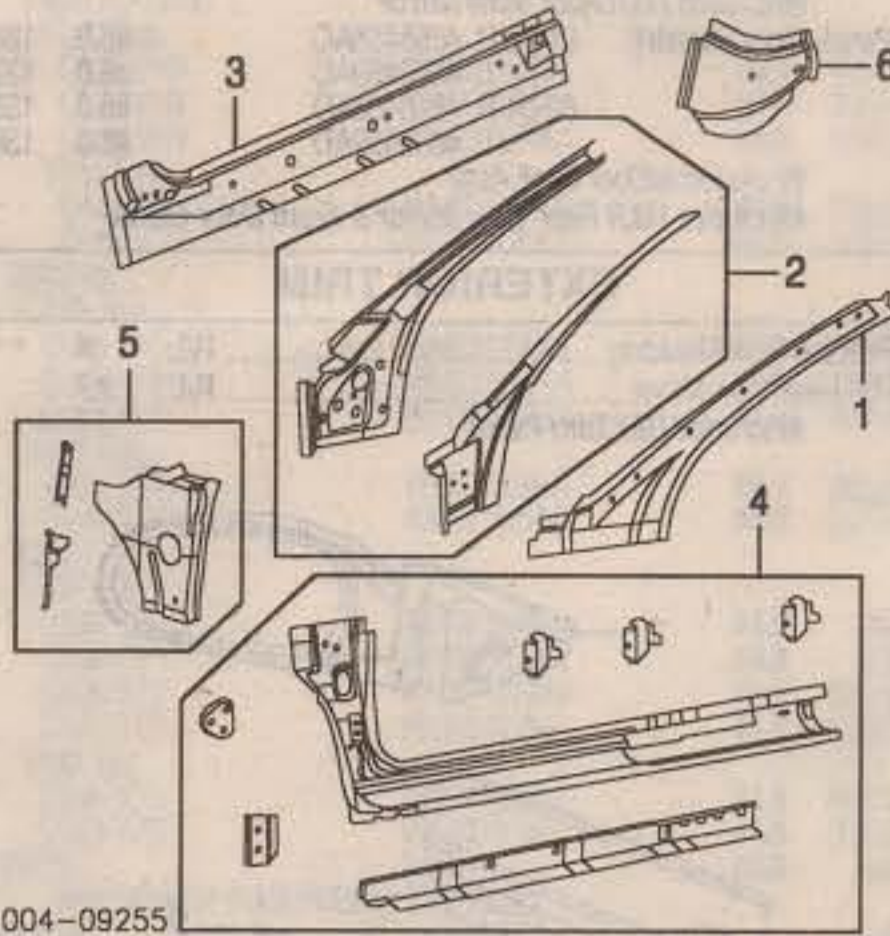
Use Procedure Explanations 14, 15 and 28 with the following text.

SHEET METAL

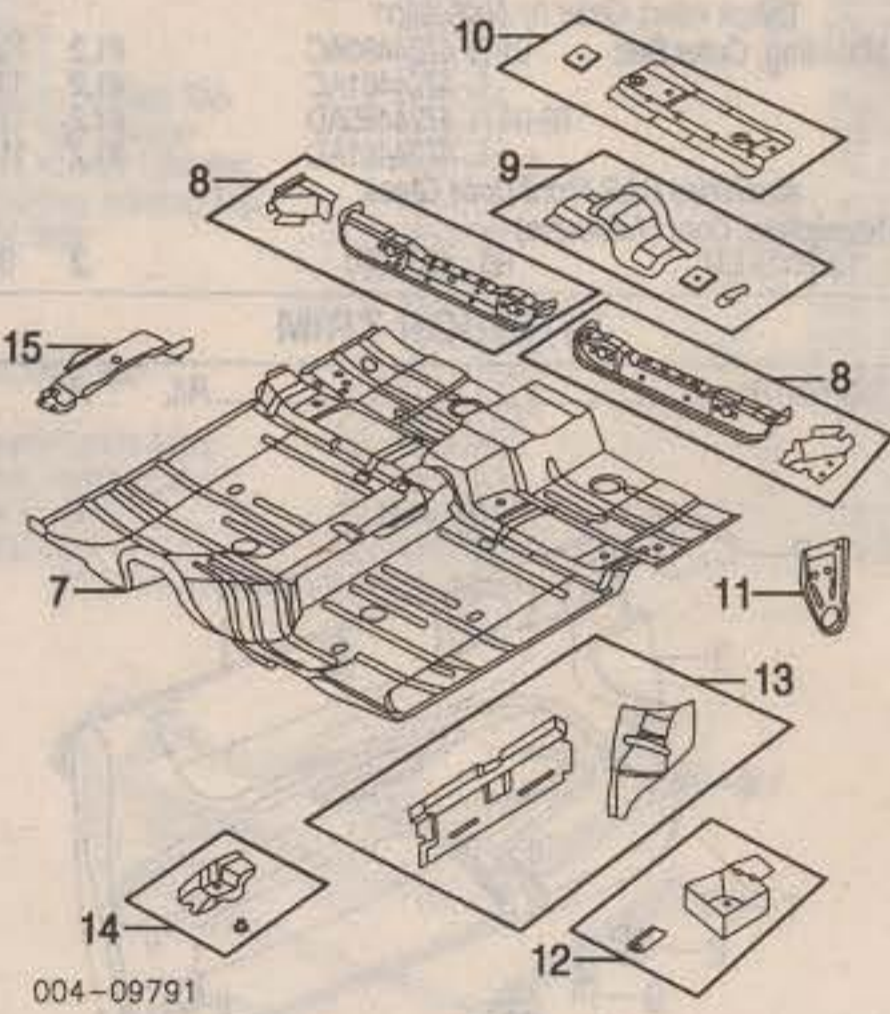
Refinish Outer Pillar	R/L	1.0
Refinish Outer Sill	R/L	1.6

Illustration Located in Next Column

1 Pillar, Outer	R 4724322AE L 4724323AE	s 4.5 s 4.5	68.75 68.75
2 Pillar, Inner	R 4878704AC L 4878705AC	s 3.0 s 3.0	102.00 102.00
3 Sill, Outer	01 R 4878670AC L 4878671AC 02-04 R 4878670AE L 4878671AE	s #8.0 s #8.0 s #8.0 s #8.0	53.35 53.35 53.35 53.35



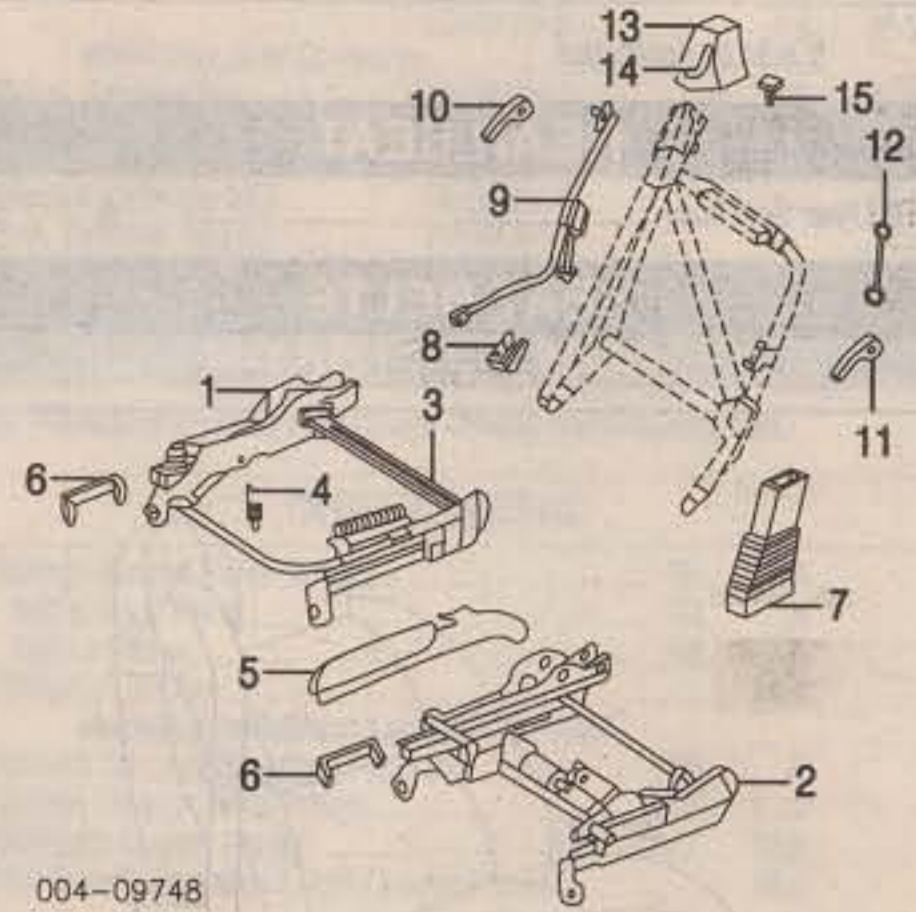
#w/Quarter Panel Removed Deduct 1.8, Deduction Includes Common Surfaces & Included Operations			
4 Sill, Inner	01 R 4878696AC L 4878697AC 02-04 R 4878696AC L 4878697AC	s 6.0 s 6.0 s 6.0 s 6.0	220.00 220.00 220.00 220.00
Plate, Scuff	R ST10WL5AA L ST11WL5AB	.2 .2	10.20 9.70
Order by Application			
5 Panel, Side Cowl	01 R 4878548AC L 4878549AC 02 R 4878548AD L 4878549AD 03 R 4878548AE L 4878549AE 04 R 4878548AG L 4878549AG	s 1.0 s 1.0 s 1.0 s 1.0 s 1.0 s 1.0 s 1.0 s 1.0	48.60 51.10 46.50 46.50 46.50 46.50 46.50 46.50
Panel, Cowl Side Trim	R RF84WL5AA L RF85WL5AA		12.95 10.45
Order by Application			
6 Reinforcement, Sill	01-02 R 5256876AC L 5256877AC 03-04 R 5256876AD L 5256877AD	s 1.5 s 1.5 s 1.5 s 1.5	29.20 26.50 29.20 26.50



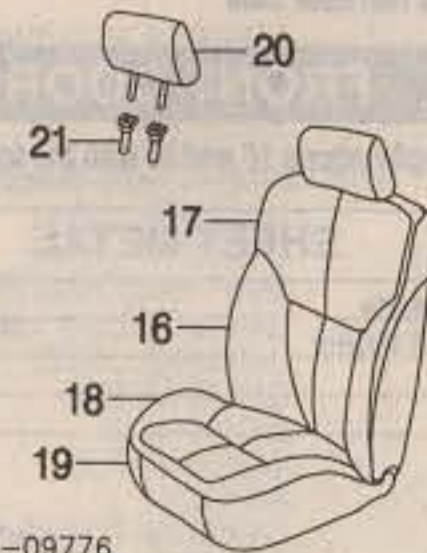
7 Pan, Front Floor	4878546AB	#28.0	141.00
#Includes R&R Crossmembers & Reinforcement			
8 Crossmember, Front	01-02 R 4878898AB L 4878899AB 03-04 R 4878898AC L 4878899AC	1.5 1.5 1.5 1.5	87.75 83.50 87.75 87.75
9 Reinforcement	4814493AC	1.0	56.35
10 Crossmember	4996280AC	1.0	0.00
11 Bracket, Rear Tow	4814661AA		15.70
12 Bracket, Torque Box	01 R/L 4696246-7 02-04 R 4696246AB L 4696247AB		50.25 48.00 48.00
13 Extension, Wheelhouse	R 4878730AC L 4878731AC		60.75 60.75
14 Bracket, Support	R 4878618AA L 4878619AA		58.85 58.85
15 Reinforcement, Pan	01 R 5256494AD L 5256495AD 02-04 R 5256494AE L 5256495AE		46.70 46.70 47.00 47.00

FRONT SEAT

R&I Front Seat Assy R/L .4



Adjuster, Seat			
1 Passenger Side	R 5017294AA L 5017293AA	#.7 #.7	184.00 205.00
#R&R Both Sides .9			
2 Driver Side	5066470AA	.5	625.00
3 Bar, Track Passenger Side	5018633AA		9.35
4 Spring, Adjuster Passenger Side	4863966		2.50
5 Shield, Seat Driver Side	R UQ941BPAA L UQ951BPAA		20.20 20.20
Order by Application			
6 Bracket, Seat Passenger Side Driver Side	4897164AA 4897165AA		18.20 19.20
7 Boot, Seat Mechanism Driver Side	UQ931BPAA		25.95
8 Cam, Memory Dump Passenger Side Driver Side	5016182AA 5016183AA		22.25 20.85
9 Recliner, Seat Back Passenger Side Driver Side	5010288AA 5010289AA		199.00 234.00
10 Handle, Lumbar Passenger Side Driver Side	5011538AA 5011538AA		8.75 8.75
11 Handle, Seat Recliner Passenger Side Driver Side	4856866 4856867		9.10 7.75
12 Strap, Seat Back Driver Side	4863978		.45
13 Cover, Seat Back Passenger Side Driver Side	4863940 4863941		10.45 10.50
14 Bezel, Seat Belt Passenger Side Driver Side	QM041L5 QM051L5		19.85 20.60
Order by Application			
15 Clip, Bezel Passenger Side Driver Side	4882828 4882828		1.70 1.70



16 Cover, Seat Back Passenger Side Driver Side	WW401L5AA WW411L5AA	#1.0 #1.0	205.00 205.00
17 Cushion, Seat Back Passenger Side Driver Side	WW421L5AA WW431L5AA	#1.0 #1.0	525.00 500.00
#R&R One Side Complete, w/Seat Assy Removed			
18 Cover, Seat Bottom Passenger Side Driver Side	UQ881L5AA UQ891L5AA	#1.0 #1.0	163.00 155.00
19 Cushion, Seat Bottom Passenger Side Driver Side	UL021L5AA UL031L5AA	#1.0 #1.0	169.00 269.00
#R&R One Side Complete, w/Seat Assy Removed			
20 Headrest Passenger Side Driver Side	WW441L5AA WW441L5AA	.1 .1	187.00 187.00
21 Sleeve, Headrest (2) Passenger Side Driver Side	QX111L5AA QX111L5AA		11.10 11.10

REAR BODY Cont'd

INTERIOR TRIM Cont'd



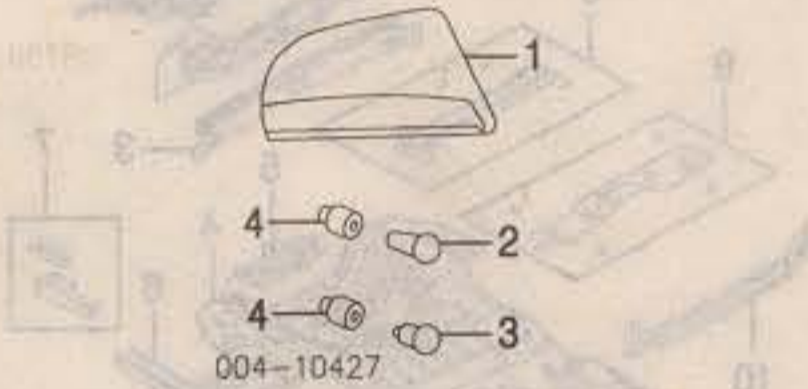
004-09302

	L	SM07VXLAA		58.45
	02-04 R	SM06VXLAB		57.85
	L	SM07VXLAB		52.70
3 Panel, Rear Carpet	01	SL89VXLAC	2	81.85
	02-04	SL89VXLAC	2	81.85
4 Panel, Floor Carpet	01	SL95VXLAC		111.00
	02	SL95VXLAE		127.00
	03-04	SL95VXLAF		126.00
5 Retainer, Carpet Panel [†]		6030441		1.75
			[†] As Required	

REAR LAMPS

COMBINATION LAMP

R&I Combination Lamp Assy..... R/L 3



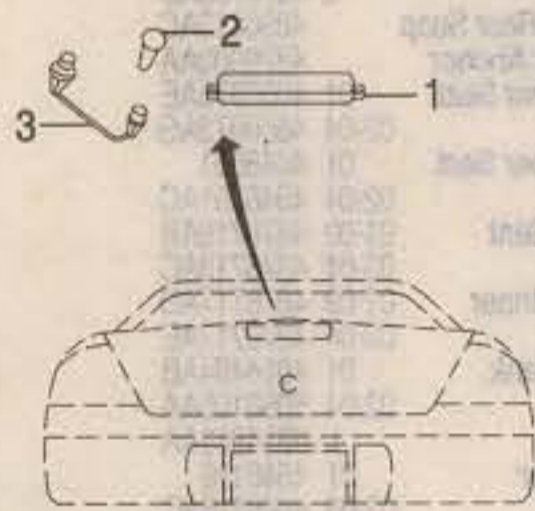
004-10427

1 Lamp, Combination	R	4805462AA	3	174.00
	L	4805463AA	3	174.00
Seal, Lamp	R/L	4805640AB		6.85
2 Bulb, Tail/Signal	R/L	L003757A	#2	3.25
3 Bulb, Back-Up	R/L	L0000194	#2	.55
<i>#R&R One Side Complete, Included in R&R/R Combination Lamp Assy</i>				
4 Socket, Bulb [†]	R/L	5015236AA		2.20
				[†] Order by Application

LICENSE LAMP

R&I License Lamp.....	R/L	#2		
Lamp, License	01 R	4805664AC	#2	16.50
	L	4805665AC	#2	16.50
	02-03 R	4805664AC	#2	16.50
	L	4805665AC	#2	16.50
	04 R	4805664AD	#2	15.00
	L	4805665AD	#2	15.00
<i>#Included in R&R Luggage Lid</i>				
Bulb, License Lamp	R/L	L0000168	#2	.66
<i>#Included in R&R/R License Lamp</i>				

HIGH MOUNT STOP LAMP



004-10429

1 Lamp, Stop	01	4805454AE	5	144.00
	02-04	4805454AE	5	144.00
2 Bulb, Stop Lamp		L0000921		1.95
3 Harness, Wiring		N.A.		0.00

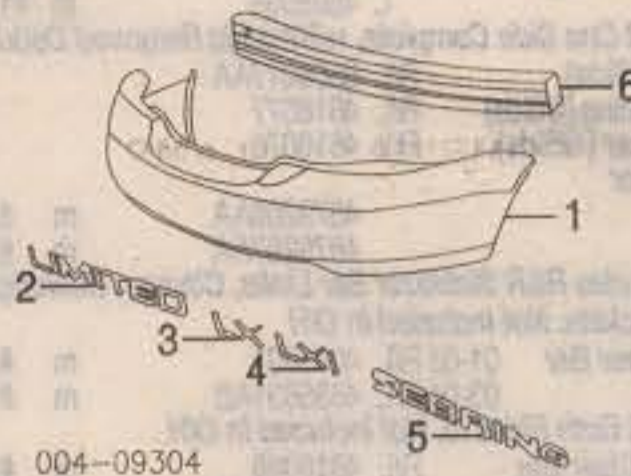
REAR BUMPER

Use Procedure Explanations 27 and 28 with the following text.

Refinish Rear Cover.....	2.7
R&I Rear Cover Assy.....	#1.1
<i>#Includes R&R/R Combination Lamp Assemblies</i>	
R&I Bumper Assy.....	#1.3

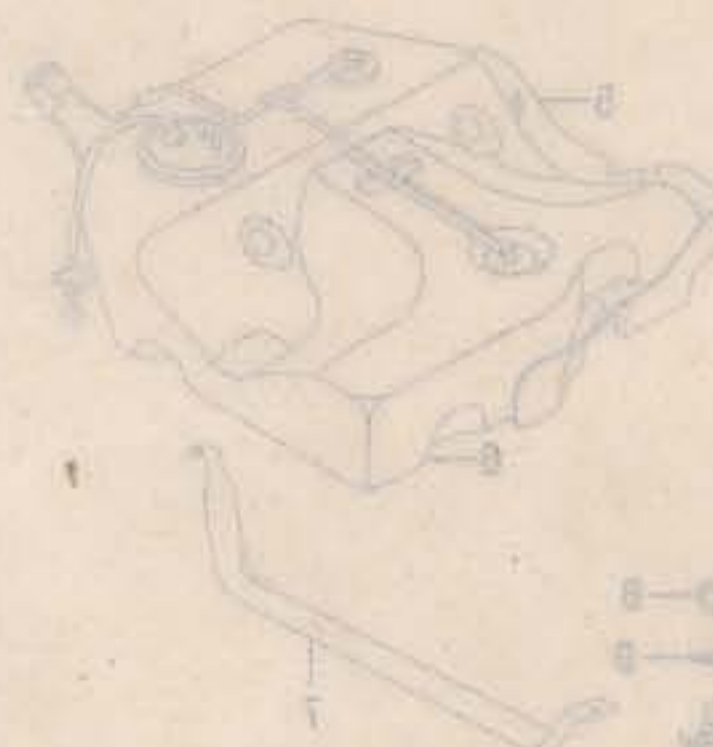
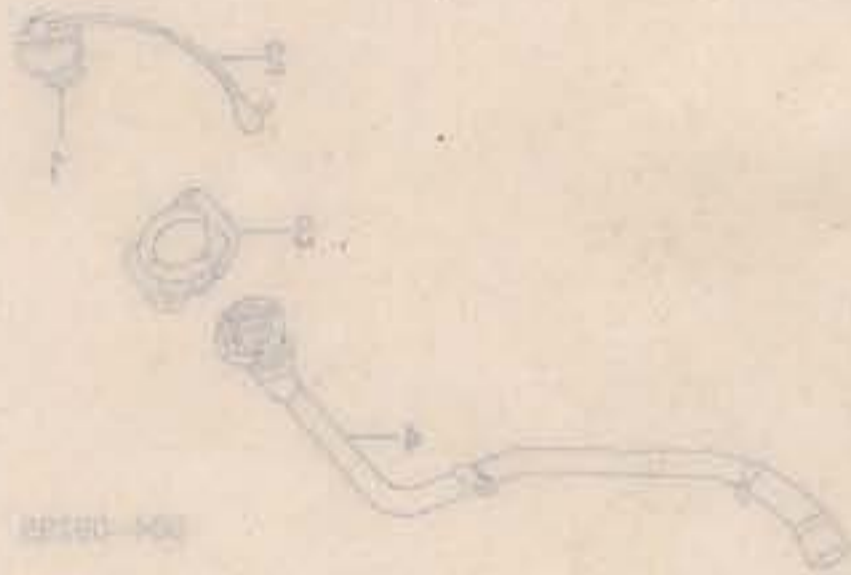
#Includes R&I Rear Cover Assy
 C/H Bumper Assy (Includes R&I)..... #2.0
#Includes R&I/R&R Combination Lamp Assemblies

NOTE: All Parts in this section are included in overhaul unless noted otherwise.



004-09304

1 Cover, Rear (P)	4805449AA	1.8	345.00
(P) Paint to Match			
Nameplate (Adhesive)			
2001			
2 "LIMITED"	4805556AA	.2	24.75
3 "LX"	4805557AA	.2	16.60
4 "LXI"	4805554AB	.2	9.50
5 "Sebring"	4805552AA	.2	26.75
<i>2002-04-See Luggage Lid Section</i>			
Absorber, Impact	4805451AA	IOH	110.00
6 Bar, Reinforcement	01-02 4805813AB	IOH	73.75
	03-04 4805813AB	IOH	73.75
Screw, Reinf Bar Mtg (3)	6503819		1.85
Nut, Reinf Bar (4)	6102167AA		2.35



SEBRING CONVERTIBLE 1996-00

SECTION INDEX

A/C /HEATER.....	148
A/C REFRIGERANT CAPACITIES.....	148
ABS/BRAKES.....	149
AIR BAG SYSTEM.....	149
AIR CLEANER.....	152
CENTER CONSOLE.....	155
CLEAR COAT IDENTIFICATION.....	146
CONVERTIBLE TOP.....	157
COOLING.....	147
COWL & DASH.....	154
CRUISE CONTROL SYSTEM.....	150
ELECTRICAL.....	153
EMISSION SYSTEM.....	152
ENGINE/TRANS.....	151
ENGINE/TRANS MOUNTS.....	152
EXHAUST.....	152
FRONT BUMPER.....	147
FRONT DOOR.....	156
FRONT DRIVE AXLE.....	150
FRONT FENDER.....	148
FRONT INNER STRUCTURE.....	149
FRONT LAMPS.....	147
FRONT STEERING LINKAGE/GEAR.....	151
FRONT SUSPENSION.....	150
FUEL TANK.....	160
GRILLE.....	147
HOOD.....	147
INFORMATION LABELS.....	146
INSTRUMENT PANEL.....	154
LUGGAGE LID.....	159
PAINT CODE LOCATION.....	146
QUARTER GLASS.....	159
QUARTER PANEL.....	158
REAR BODY.....	160
REAR BUMPER.....	161
REAR LAMPS.....	160
REAR SUSPENSION.....	159
ROCKER/PILLARS/FLOOR.....	155
SEAT.....	156
SEAT BELTS.....	156
SPECIAL CAUTIONS.....	146
STEERING PUMP.....	151
STEERING WHEEL/COLUMN.....	151
TRANS OIL COOLER.....	148
UNDERHOOD DIMENSIONS.....	148
WHEEL.....	150
WINDSHIELD.....	153

SPECIAL CAUTIONS

AIR BAGS

Refer to Procedure Explanation 29 for Supplemental Restraint/Air Bag Special Cautions.

PAINT CODE LOCATION

Paint code located on left door jamb.

CLEAR COAT IDENTIFICATION

All colors are clear coat.

INFORMATION LABELS

Air Bag Maintenance	96 4696310	1.60
Air Bag Referral [†]	96-98 4897875AA	.60
	99-00 4787437AA	0.00
Air Bag Warning [†]	96 4775166	3.00
<i>†Located on Driver Side Sun Visor</i>		
Accessory Drive Belt [†]	4573732	2.00
Emissions [†]		
4 Cyl		
w/Calif Emission	96 4591297	4.35
	97 4792525	4.00
	98 4891105AB	3.45
	99 4591497AA	3.35
w/o Calif Emission	96 4591296	4.35
	97 4792523	4.00
	98 4891104AB	3.70
	99 N.A.	0.00
6 Cyl		