

SEVILLE 1998-04

SECTION INDEX

A/C /HEATER/VENTILATION..... 197
 A/C REFRIGERANT CAPACITIES 197
 ABS/BRAKES 198
 AIR BAG SYSTEM..... 198
 AIR CLEANER..... 202
 BACK WINDOW..... 208
 CENTER CONSOLE..... 204
 CLEAR COAT IDENTIFICATION 195
 COOLING..... 196
 COWL & DASH..... 204
 CRUISE CONTROL SYSTEM 199
 ELECTRICAL..... 202
 ELECTRONIC SUSPENSION COMPONENTS..... 199
 EMISSION SYSTEM..... 202
 ENGINE/TRANS..... 201
 ENGINE/TRANS MOUNTS..... 202
 EXHAUST..... 202
 FRONT BUMPER..... 195
 FRONT DOOR..... 206
 FRONT DRIVE AXLE..... 200
 FRONT FENDER..... 197
 FRONT INNER STRUCTURE..... 197
 FRONT LAMPS..... 196
 FRONT SEAT..... 205
 FRONT STEERING LINKAGE/GEAR..... 200
 FRONT SUSPENSION..... 199
 FUEL TANK..... 210
 GRILLE..... 195
 HOOD..... 196
 INFORMATION LABELS..... 195
 INSTRUMENT PANEL..... 204
 LUGGAGE LID..... 208
 PAINT CODE LOCATION..... 195
 QUARTER PANEL..... 208
 REAR BODY..... 210
 REAR BUMPER..... 210
 REAR DOOR..... 207
 REAR LAMPS..... 210
 REAR SEAT..... 205
 REAR SUSPENSION..... 209
 ROCKER/PILLARS/FLOOR..... 205
 ROOF..... 207
 SEAT BELTS..... 205
 SPECIAL CAUTIONS..... 195
 STEERING PUMP..... 200
 STEERING WHEEL/COLUMN..... 200
 SUNROOF..... 208
 UNDERHOOD DIMENSIONS..... 197
 WHEEL..... 199
 WINDSHIELD..... 203

SPECIAL CAUTIONS

SRS Refer to Procedure Explanation 29 for Supplemental Restraint/Air Bag Special Cautions.

PAINT CODE LOCATION

1998-03

Paint code located on the left side of firewall.

2004

Paint code located on spare tire cover.

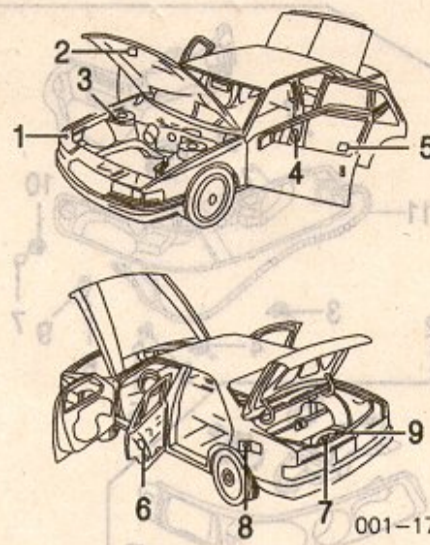
CLEAR COAT IDENTIFICATION

All colors are clear coat. Mary Kay Pearl (Code 09), Red Tint Coat (Code 86), White Diamond (Code 93) and White Lightening (Code 98) are three stage.

INFORMATION LABELS

Illustration Located in Next Column

1 Label, Cooling/SIR System	25665419	11.24
2 Label, Emission Control]]		



w/Calif Emission	98	12559117	11.24
	99-00	12562473	11.24
	01	12564042	11.24
	02	12565736	11.24
	03	12577538	12.81
	04	12573135	d12.07
w/o Calif Emission	98	12559116	11.24
	99	12561272	11.24
	00	12562471	11.24
	01-02	12568570	11.24
	03	12577538	12.81
	04	12573135	d12.07

Order by Application

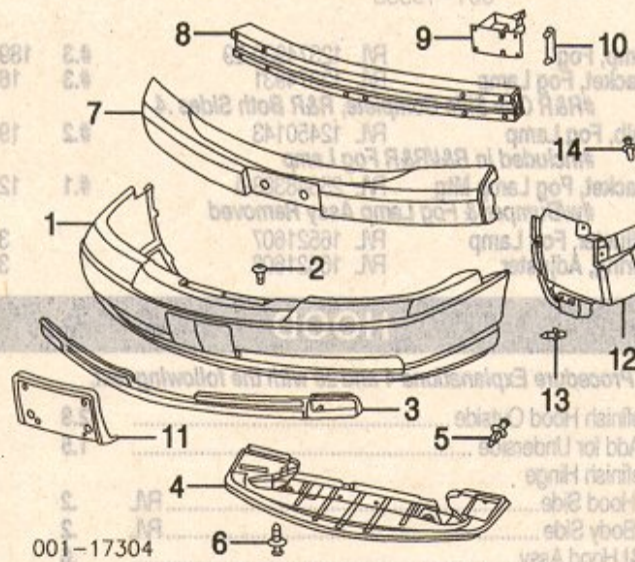
3 Label, Eng Jump Start	25680098	11.24
4 Label, Inflatable Restraints	R/L 15006352	11.24
5 Label, Theft Deterrent System		
1998-00	R/L 25675492	11.24
6 Label, Child Security Lock Info		
1998-01	R/L 10442881	11.24
2002-04	R/L 25735934-5	11.24
7 Label, Spare Wheel Caution	25558496	11.24
8 Label, Fuel	98-01 25633060	10.47
	02-04 14107916	10.78
9 Label, Jack Usage]]		
1998-03		
Compact Spare	25744218	12.81
Full Size Spare	25669504	11.24
2004	25695289	11.24
Label, Mercury Disposal	02-04 15070503	11.24

FRONT BUMPER

Use Procedure Explanations 1 and 28 with the following text.

Refinish Front Bumper Cover.....	2.4
Refinish Bumper Grille.....	.8
R&I Bumper Assy.....	1.1
R&I Bumper Grille.....	.4
O/H Bumper Assy (Includes R&I).....	2.0
Add to O/H Bumper Assy	
w/STS Model.....	#.4
#Includes R&I/R&R Fog Lamps	
w/ H/Lamp Washer.....	#.3
#Includes R&R Washer Nozzles	

NOTE: All Parts in this section are included in overhaul unless noted otherwise.

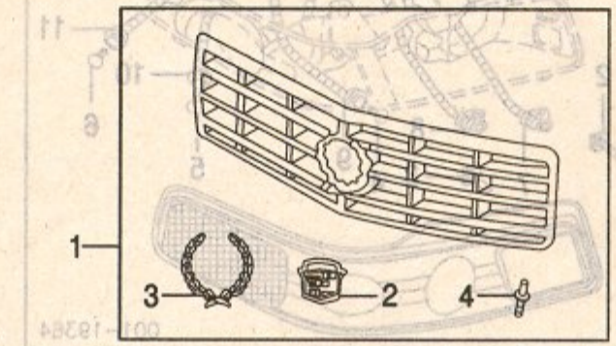


1 Cover, Front (P)		
SLS Model		
1998-01	25678022	1.8 479.42
2002	25678170	1.8 449.64
2003		
w/ H/Lamp Washer	25710125	1.8 454.14
w/o H/Lamp Washer	25678022	1.8 479.42
2004		
w/ H/Lamp Washer	25710125	1.8 454.14
w/o H/Lamp Washer	25678170	1.8 449.64
STS Model		
1998-02	25678170	1.8 449.64
2003		

w/ H/Lamp Washer	25710125	1.8	454.14
w/o H/Lamp Washer	25678022	1.8	479.42
(P) Paint to Match			
2 Retainer, Cover (3)	10121502		.30
3 Grille, Bumper (P)			
SLS Model	25653070	.4	87.78
STS Model	25653077	.4	87.78
(P) Paint to Match			
4 Deflector, Lwr Air			
1998-99			
w/ H/Lamp Washer	25712156	.3	38.18
w/o H/Lamp Washer	25743710	.3	38.90
2000-04			
w/Tow Hook	25721649	.3	38.90
w/o Tow Hook	25743710	.3	38.90
5 Retainer, Otr Deflector (2/Side)	98-99 R/L 11518017		3.84
	00-04 R/L 14093088		.68
6 Retainer, Inr Deflector (9)	14093088		.68
7 Absorber, Impact	25653074	10H	79.83
8 Bar, Impact			
1998-00	25699801	2.0	230.31
2001-04			
w/ H/Lamp Washer	25699801	2.0	230.31
w/o H/Lamp Washer	25653085	2.0	230.31
9 Brkt, Impact Bar			
w/Tow Hooks	R/L 25654467-8	#.3	46.47
w/o Tow Hooks	R/L 25653086-7	#.3	38.81
#w/Bumper Assy Removed, Not Included in O/H			
10 Plate, Stud	R/L 25742594		3.78
11 Bracket, License Plate			
w/ H/Lamp Washer	N.A.	.3	0.00
w/o H/Lamp Washer	25653071	.3	48.16
12 Extension, Frt Cover	R 25707859	.2	22.14
	L 25739944	.2	22.14
13 Retainer, Frt Extension (2/Side)	R/L 11518017		3.84
14 Retainer, Rear Ext (3/Side)	R/L 14093088		.68

GRILLE

R&I Grille Assy.....	#.3
#Included in R&R Hood	



001-17305		
1 Grille Assy		
1998-01		
SLS Model	25653109	#.3 233.00
STS Model		
Black (RPO-41U)	25663917	#.3 232.53
Blue		
RPO-27U	98 25663913	#.3 232.53
RPO-34U	01 25699335	#.3 232.53
RPO-39U	98-99 25663915	#.3 232.53
RPO-55U	99-00 25681737	#.3 232.53
RPO-62U	00 25686661	#.3 232.53
Bronze		
RPO-54U	99-01 25681736	#.3 232.53
RPO-76U	00-01 25686662	#.3 232.53
Gold (RPO-60U)	98-99 25663919	#.3 232.53
Green		
RPO-38U	98-99 25663914	#.3 232.53
RPO-91U	25663922	#.3 232.53
Mary Kay Pearl (RPO-09U)	25676833	#.3 232.53
Moonstone (RPO-21U)	98-99 25663912	#.3 232.53
Otter (RPO-32U)	01 25699334	#.3 232.53
Red		
RPO-06U	98-99 25663909	#.3 232.53
RPO-44U	00 25686660	#.3 d195.00
RPO-86U	98-01 25663921	#.3 232.53
Shale (RPO-46U)	98-99 25663918	#.3 232.53
Silver		
RPO-17U	98 25663911	#.3 232.53
RPO-12U	99-01 25681735	#.3 232.53
White		
RPO-40U	98-99 25663916	#.3 232.53
RPO-93U	98-01 25663923	#.3 232.53
2002-04		
Argent	25719529	#.3 232.53
Black (RPO-41U)	25722834	#.3 232.53
Blue (RPO-25U)	25733257	#.3 232.53
Bronze		
RPO-54U	25722838	#.3 232.53
RPO-67U	25751214	#.3 232.53
RPO-76U	25722839	#.3 232.53
Green (RPO-34U)	25722841	#.3 232.53
Otter (RPO-32U)	25722840	#.3 232.53
Purple (RPO-88U)	25737804	#.3 232.53
Red		
RPO-06U	25751213	#.3 232.53
RPO-86U	25722835	#.3 232.53
Silver (RPO-12U)	25722837	#.3 232.53
White		
RPO-93U	25751215	#.3 232.53

GRILLE Cont'd

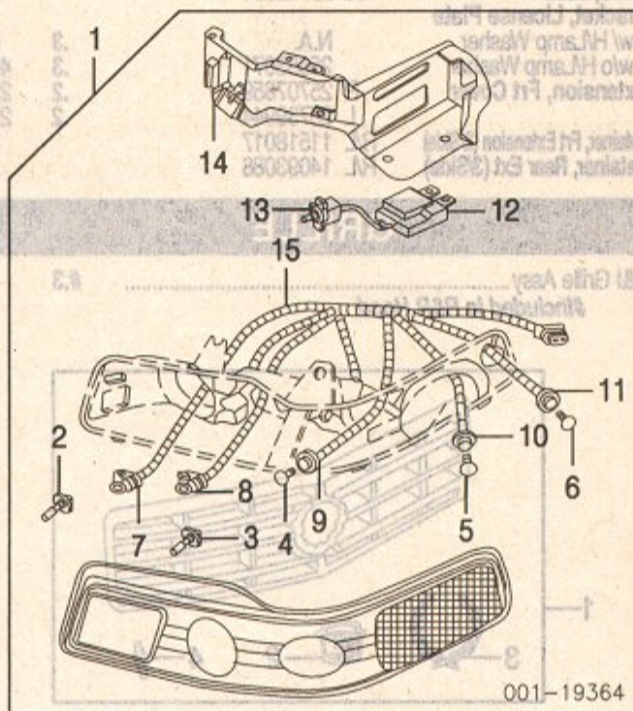
RPO-98U Paint to Match	25723081 25653077	#.3 #.3	232.53 87.78
#Included in R&R Hood			
2 Emblem, Crest	98-01 25676200 02-04 25719533	#.2 #.2	9.66 13.93
STS Model	25676201	#.2	9.44
3 Emblem, Wreath	98-01 3542782 02-04 25719535	#.2 #.2	22.07 10.41
#R&R Complete			
4 Stud, Grille	R/L 3544788		3.84
#Included w/Grille Assy			
5 Nut (Push-In) (6)	20350354		.86
6 Brace, Grille	R/L 25634314		3.78

FRONT LAMPS

COMBINATION LAMP
W/HID LAMPS

Aim Lamps	4
R&I Combination Lamp Assy	R/L 4

NOTE: R&R Does Not include aim lamps.



001-19364

1 Lamp Assy, Combination	R/L 25723072-1	.4	843.59
RPO-TT6	R/L 16530170-69	.4	630.00
RPO-TT7	R/L 9441732	#.2	14.53
2 Bulb, High Beam	R/L N.A.	#.2	0.00
3 Bulb, Low Beam	R/L 12450182	#.2	7.58
4 Bulb, Park Lamp	R/L 9441839	#.2	2.58
5 Bulb, Cornering Lamp	R/L 9421330	#.2	.63
#R&R One Side Complete, w/Combination Lamp Assy Removed			
7 Socket, High Beam	R/L 12101898		23.78
8 Socket, Low Beam	R/L 12101897		24.67
9 Socket, Park Lamp	R/L 12166325		35.98
2 Pin Connector	R/L 12083689		60.12
3 Pin Connector	R/L 12085330		43.95
10 Socket, Cornering Lamp	R/L 88986416		39.02
11 Socket, Side Marker	R/L 12335573		399.00
12 Ballast, HID	R/L 16530161	.4	353.09
13 Igniter, HID	R/L 16524452-1		114.03
14 Bracket, Headlamp	R/L 15358373		42.40
15 Harness, HID Wiring			
#Included w/Combination Lamp Assy			
Harness, Combination Lamp	15355888		186.51
#Order by Application			

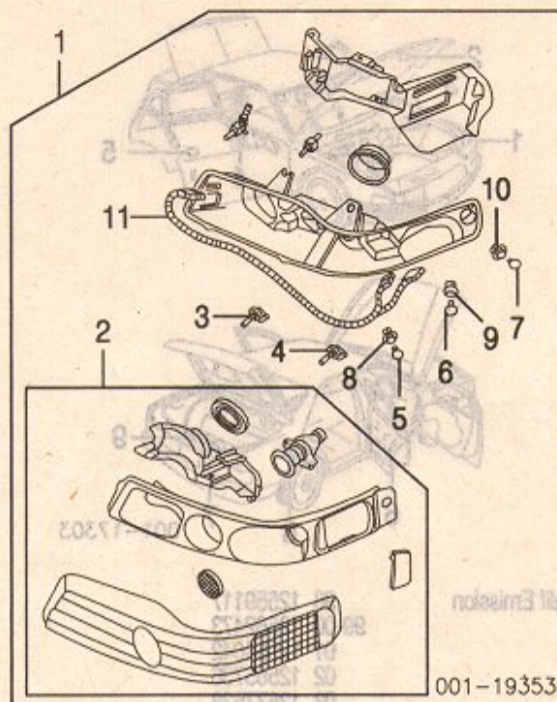
COMBINATION LAMP
W/O HID LAMPS

Aim Lamps	4
R&I Combination Lamp Assy	R/L 4

NOTE: R&R Does Not include aim lamps.

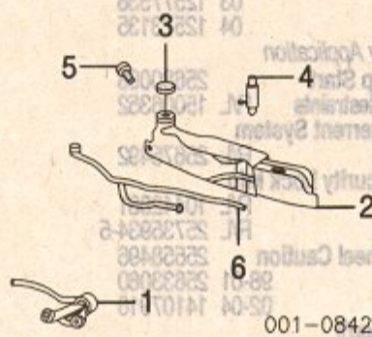
Illustration Located in Next Column

1 Lamp Assy, Combination	R/L 25723548-7	.4	378.83
2 Capsule, Headlamp	R/L 16530318-7	#.5	288.77
3 Bulb, High Beam	R/L 9441732	#.2	14.53
4 Bulb, Low Beam	R/L 1999366	#.2	14.53
5 Bulb, Signal	R/L 12450182	#.2	7.58
6 Bulb, Cornering Lamp	R/L 9441839	#.2	2.58
7 Bulb, Side Marker	R/L 9421330	#.2	.63
#R&R One Side Complete, w/Combination Lamp Assy Removed			
8 Socket, Signal	R/L 12083689		60.12
9 Socket, Cornering Lamp	R/L 12085330		43.95
10 Socket, Side Marker	R/L 88986416		39.02
11 Harness, Marker/Signal Lamp	R/L 12165457		37.39
#Included w/Combination Lamp Assy			
Harness, Combination Lamp	15374684		186.51



001-19353

COMBINATION LAMP WASHER



001-08429

1 Nozzle, Washer	R/L 25693980-79	#.3	78.27
#w/Combination Lamp Assy Removed			
2 Container, Fluid	88890512	#.3	177.61
#w/Front Cover Removed			
3 Cap, Container	25693975		3.67
4 Pump, Fluid	25693988		98.13
5 Sensor, Level	25693978		25.50
Relay, Pump	15027503		44.16
6 Hose, Washer	N.A.		0.00

FOG LAMP
STS MODEL

Aim Lamps	.3
R&I Fog Lamp Assy	R/L .3

NOTE: R&R Does Not include aim lamps.



001-19355

1 Lamp, Fog	R/L 12374930-29	#.3	189.55
2 Bracket, Fog Lamp	R/L 12374931	#.3	16.28
#R&R One Side Complete, R&R Both Sides .4			
3 Bulb, Fog Lamp	R/L 12450143	#.2	19.24
#Included in R&I/R&R Fog Lamp			
Bracket, Fog Lamp Mtg	R/L 25648303-4	#.1	12.97
#w/Bumper & Fog Lamp Assy Removed			
Adjuster, Fog Lamp	R/L 16521607		3.67
Spring, Adjuster	R/L 16521608		3.67

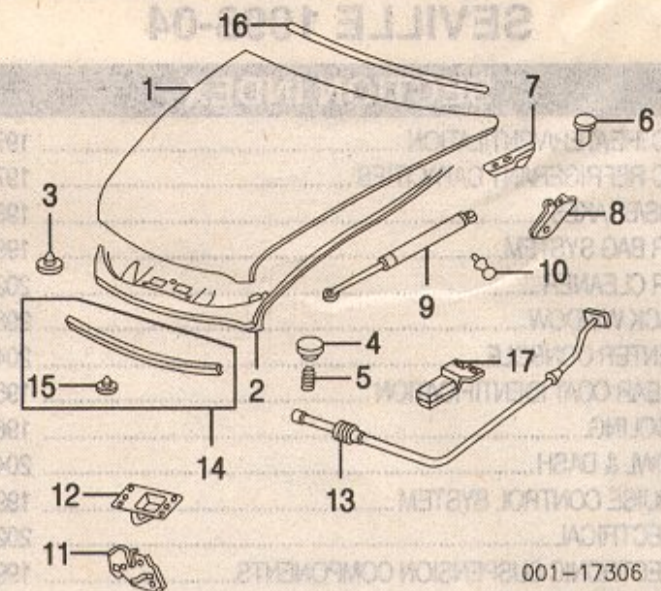
HOOD

Use Procedure Explanations 4 and 28 with the following text.

Refinish Hood Outside	2.9
Add for Underside	1.5
Refinish Hinge	
Hood Side	R/L .2
Body Side	R/L .2
R&I Hood Assy	.6

Illustration Located in Next Column

1 Panel, Hood	25752379	#1.2	556.90
#Includes R&I/R&R Grille			
2 Insulator, Hood	25756699	.3	88.98
3 Retainer, Insulator (10)	20064875		1.42
4 Bumper, Frt Adjust	R/L 14093705	#.1	1.00
5 Stud, Frt Adjust Bumper	R/L 25683126	#.1	1.95



001-17306

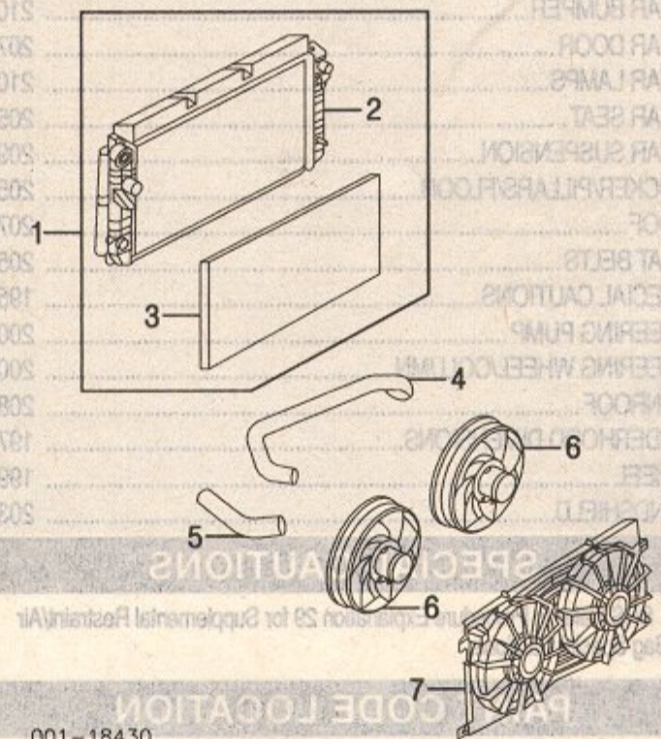
#R&R One Side Complete

6 Bumper, Rear Adjust	R/L 25609434		3.56
7 Hinge, Hood Side	R/L 12373610-1	#.2	33.86
8 Hinge, Side Body	R/L 25641626-5	#.2	14.93
#R&R One Side Complete, w/Hood Panel Removed			
9 Strut, Support	98-99 R/L 25684663 00-04 R/L 25684453	.2 .2	37.31 38.22
10 Stud, Support Ball			
Fender Mtd	98-99 R/L 25613447 00-04 R/L 25654985		1.31 3.56
Body Mtg	98-99 R/L 25610246 00-04 R/L 11517670		2.00 3.56
11 Latch	25693521	.3	42.83
12 Striker	25711274	.2	13.14
13 Cable, Release	25677972	1.0	21.53
Retainer, Cable (2)	26043783		3.84
14 Seal Assy, Front Hood	25640019	.2	13.21
15 Retainer, Hood Seal (7)	332364		.64
#Included w/Front Hood Seal Assy			
16 Seal, Rear Hood	25662663	.2	30.74
17 Lamp, Underhood	25664746	.2	13.30
Bulb, Underhood Lamp	9433040	.1	1.68

COOLING

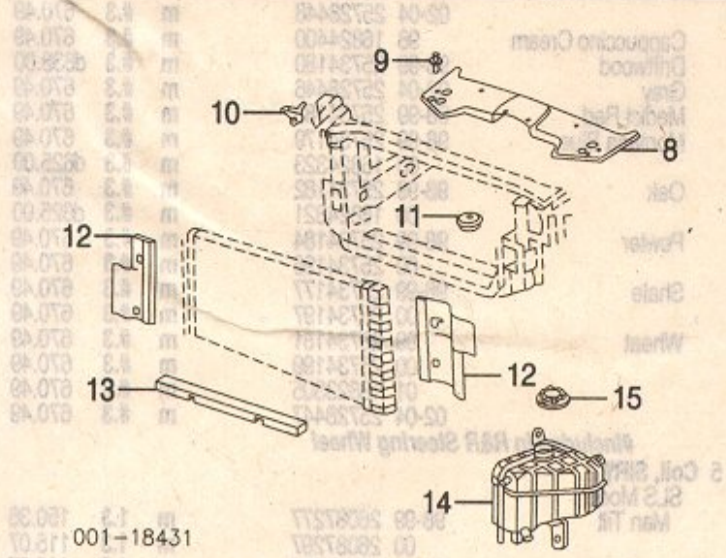
Use Procedure Explanations 5 and 28 with the following text.

R&I Radiator/Condenser Assy	m	2.2
-----------------------------	---	-----

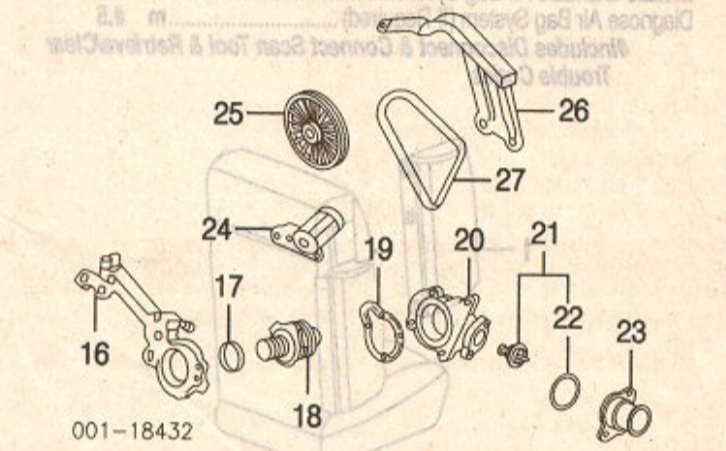


001-18430

1 Radiator/Condenser Assy			
w/Extra Capacity (RPO-V03)	52486866	m	2.2 606.07
w/o Extra Capacity (RPO-V03)	52486868	m	2.2 606.07
2 Radiator			
SLS Model	98-00 52484078 01-04 52486867	2.2 2.2	297.53 541.72
STS Model			
w/Extra Capacity (RPO-V03)	98-00 52484076 01-03 52486869	2.2 2.2	537.38 541.72
w/o Extra Capacity (RPO-V03)	98-00 52484078 01-03 52486867	2.2 2.2	297.53 541.72
3 Condenser	52471072	m	1.9 263.74
#Included w/Radiator/Condenser Assy			
4 Hose, Upper Rad	25668019	#.5	43.97
5 Hose, Lower Rad	25668020	#.5	23.56
#R&R Both Sides .8			
6 Fan w/Motor, Cooling	R 12463002 L 12463003	#.7 #.7	132.79 139.62
#R&R Both .9, w/Radiator Removed Deduct .4			
7 Shroud, Cooling Fan	12365378	#.9	88.97
#Includes R&R Both Fans w/Motors, w/Radiator Removed Deduct .4			



001-18431			
8 Panel, Upper Sight Clip, Retaining	25715897	#2	19.48
As Required	25695687		3.78
9 Retainer, Panel (6)	25663903		.63
10 Bracket, Upper Rad	R 25663547		3.78
	L 25680507		3.78
11 Insulator, Rad Mount	R/L 25727687		3.98
12 Baffle, Side Rad	R 25635585	#1	5.24
	L 25635586	#1	6.59
13 Seal, Lower Rad	25662605	#1	10.17
#w/Radiator Removed			
14 Tank, Coolant	25635588	5	76.21
15 Cap, Coolant Tank	98-99 10244485		7.29
	00-01 25713160		9.91
	02-04 25730223		7.90



001-18432			
16 Housing, Water Pump	98-99 12553133	m #1.3	135.51
	00-04 12579579	m #1.3	135.51
17 Seal, O-Ring	12562004	m #1.3	3.88
18 Pump, Water	88894344	m #1.3	72.47
19 Gasket, Pump	12573948	m #1.3	7.65
20 Cover, Water Pump	12571913	m #1.3	31.26
#R&R Complete			
21 Thermostat Assy	12559807	#8	15.36
22 Gasket, Thermostat	12574478	#8	5.22
Included w/Thermostat Assy			
23 Housing, Thermostat	1647540	#8	5.58
#R&R Complete			
24 Tensioner, Belt	12555153	4	80.23
25 Pulley, Water Pump	3535846	#2	29.98
Included in R&R Water Pump			
26 Shield, Tensioner	12552654		11.98
27 Belt, Water Pump	12570499	5	11.24

A/C REFRIGERANT CAPACITIES

A/C R-134a Refrigerant Capacity
 1998-00 32 Ozs (2.0 Lbs)
 2001-04: 35.2 Ozs (2.2 Lbs)

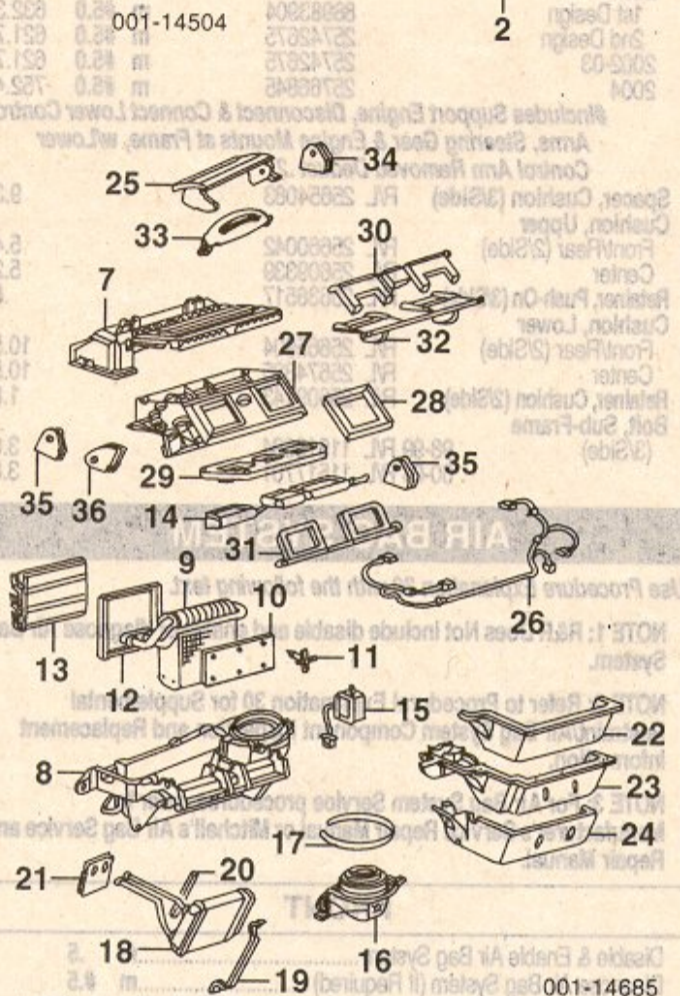
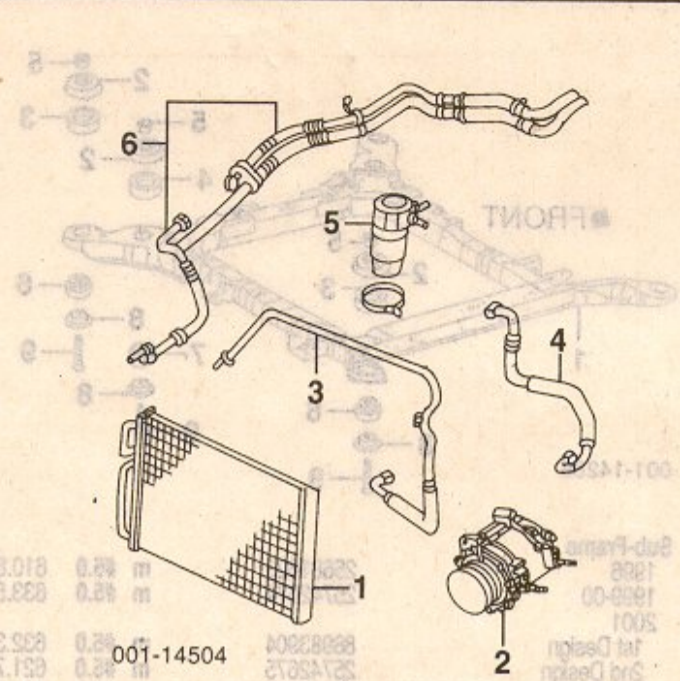
A/C /HEATER/VENTILATION

Use Procedure Explanation 6 with the following text.

Evacuate & Recharge System	m	1.4
Recover Refrigerant	m	.3

Illustration Located in Next Column

1 Condenser	See Cooling Section		
	Included w/Radiator/Condenser Assy		
2 Compressor	25740049	m	1.6 #1079.18
3 Hose, Discharge Compressor	25725863	m	1.0 #120.73
4 Hose, Suction Compressor	25725862	m	1.0 #97.39
5 Receiver/Drier	1132772	m	.4 #124.12
6 Hose, Receiver/Drier	25736711	m	.5 #205.77
7 Case, Upper Evap	52497488	m	#8.6 25.81
8 Case, Lower Evap	98-01 52473310	m	#8.6 37.33
	02-04 52495943	m	#8.6 37.33
9 Core, Evaporator	52494344	m	#8.6 #353.80
	#R&R Complete, Includes R&I Instrument Panel & R&R Heater Core		
10 Filter, Evap	52472209	m	#5.61

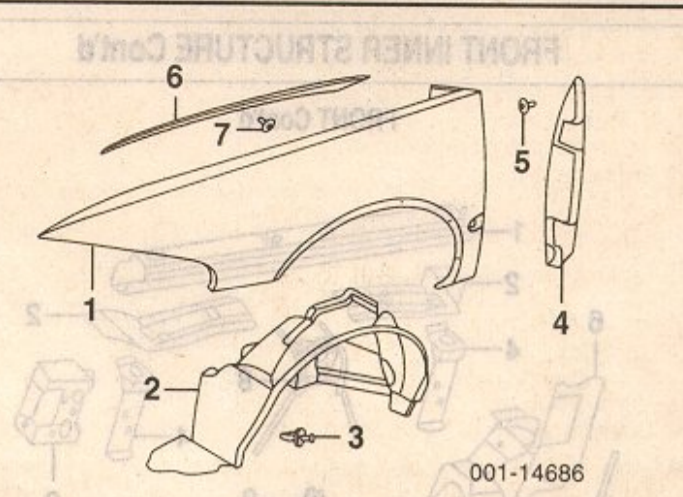


001-14504			
1 Retainer, Filter (6)	3092246	m	3.95
2 Seal, Evap Core	52462677	m	10.26
3 Filter, Comp Air	52482840	m	0.00
4 Valve, Temp	R 52474919	m	17.49
	L 52474918	m	17.73
5 Module, Blower Control	52480042	m	.7 125.17
6 Motor/Fan, Blower	98-02 52495490	m	1.0 #236.73
	03-04 52495944	m	1.0 211.46
7 Gasket, Blower Motor	52472461	m	3.92
8 Core, Heater	52471442	m	1.6 87.31
9 Strap, Heater Core	52461818	m	3.95
10 Seal, Heater Core	52470347	m	3.95
11 Seal, Heater Core Tube	52472177	m	10.28
12 Insulator, Heater Cover	52472172	m	10.00
13 Cover, Heater Core	52493127	m	21.30
14 Shield, Heater Cover	52494326	m	16.25
15 Case, Air Inlet	52473312	m	21.46
16 Harness, Vacuum	98-02 12187372	m	57.75
	03-04 N.A.	m	0.00
17 Case, Mode	52470762	m	23.16
18 Seal, Outlet	52478293	m	5.46
19 Seal, Heater	52474876	m	3.79
20 Valve, Diverter	52471654	m	13.51
21 Valve, Mode	52474812	m	21.46
22 Valve, Defrost	52474920	m	25.12
23 Valve, Air Inlet	52474814	m	11.32
24 Actuator, Inlet Valve	16163982	m	145.14
25 Actuator, Temperature	R 16164972	m	98.89
	L 16163982	m	145.14
26 Actuator, Mode			
	1998-99	m	74.02
	2000-01	m	74.02
	ACDelco 15-5658	m	74.02
	ACDelco 72631	m	72.91
	2002-04	m	74.02

FRONT FENDER

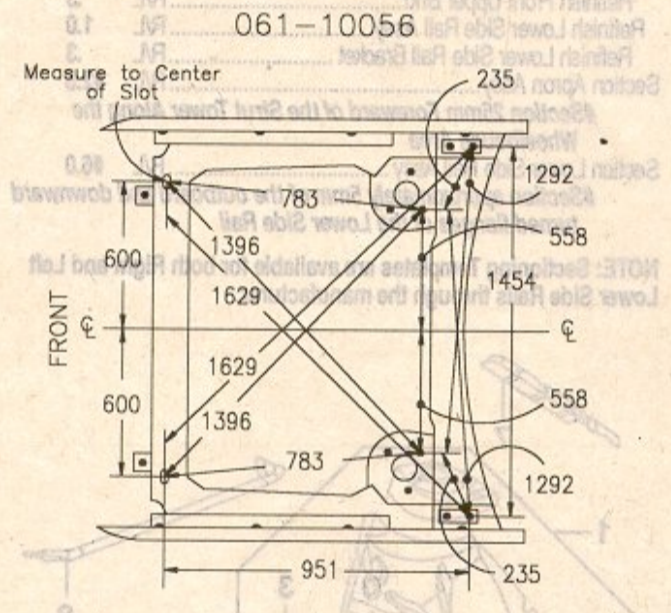
Use Procedure Explanations 7 and 28 with the following text.

Refinish Fender Outside	R/L	2.2
Add to Edge Fender	R/L	.5
R&I Fender Assy	R/L	#1.8
		#Includes R&I/R&R Fender Liner & Combination Lamp Assy



001-14686			
1 Fender	R 25641698	#2.1	305.80
	L 25641697	#2.1	326.99
		#Includes R&I/R&R Fender Liner & Combination Lamp Assy	
2 Liner, Fender	R/L 25709816-7	3	32.31
3 Retainer (Push-In) (2/Side)	R/L 11518017		3.84
4 Insulator, Sound	R/L 25635678		3.92
5 Retainer (Push-In) (2/Side)	R/L 20030401		3.92
6 Seal, Fender	R 25688158		18.21
	L 25693952		18.21
7 Retainer, Fender Seal (5/Side)	R/L 25655537		3.96

UNDERHOOD DIMENSIONS



FRONT INNER STRUCTURE

Use Procedure Explanations 8 and 28 with the following text.

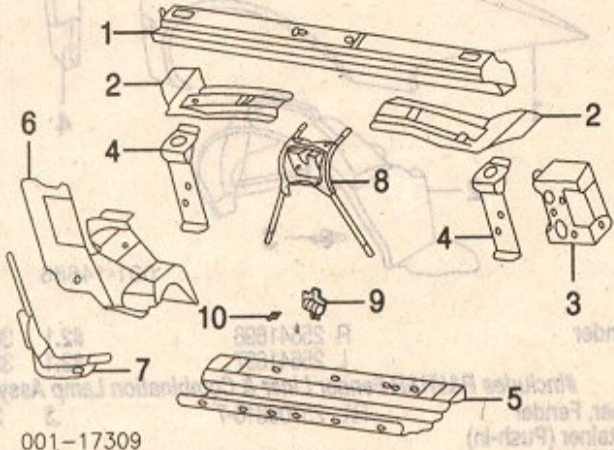
FRONT		
Refinish Radiator Support Complete		1.5
Refinish Upper Tie Bar		.5
Refinish Upper Tie Bar Reinforcement	R/L	.5
Refinish Lower Tie Bar		.5
Refinish Outer Combination Lamp Mounting Bracket	R/L	.3
Refinish Lower Tie Bar Extension	R/L	.5
R&R Radiator Support Complete		#8.5
	#Includes R&I/R&R Combination Lamp Assemblies, R&R Upper Sight Panel, Hood Latch, Hood Latch Support, Radiator Upper Brackets, Radiator Side Baffles, Radiator Lower Seal, Hood Front Adjuster Bumpers, Air Cleaner Filler Housing Assy, Disconnect & Connect Windshield Washer Reservoir, Hood Release Cable and Wiring as Necessary	
Add to R&R Radiator Support		
To R&I/R&R Base Model Mechanical Components	m	#.7
#Includes R&I/R&R Radiator/Condenser Assy & Air Temp Sensor		
To Aim Lamps		.4
Evacuate & Recharge System	m	1.4
Recover Refrigerant	m	.3

Illustration Located in Next Column

1 Bar, Upper Tie	25666237	s	1.5	35.66
2 Reinf, Upper Tie Bar	R 25681354	s	#1.0	9.85
	L 25672377	s	#1.0	9.24
		#w/Upper Tie Bar Removed Deduct .5		
3 Brkt, Otr Combination Lamp Mtg	R/L 12481064-5		.5	39.47
4 Brkt, Inr Combination Lamp Mtg	R/L 12480771-0		.4	19.50
5 Bar, Lower Tie	25670412	s	2.0	30.31
6 Extension, Lwr Tie Bar	R 25687881	s	1.5	20.15
	L 25687882	s	1.5	20.56

FRONT INNER STRUCTURE Cont'd

FRONT Cont'd



7	Brace, Lower Tie Bar	R/L 25635120-1	s .8	33.56
8	Support, Hood Latch	25693518	s .3	53.41
9	Sensor, Air Temp	16169194	m .3	17.28
10	Retainer, Temp Sensor	20664092		.63

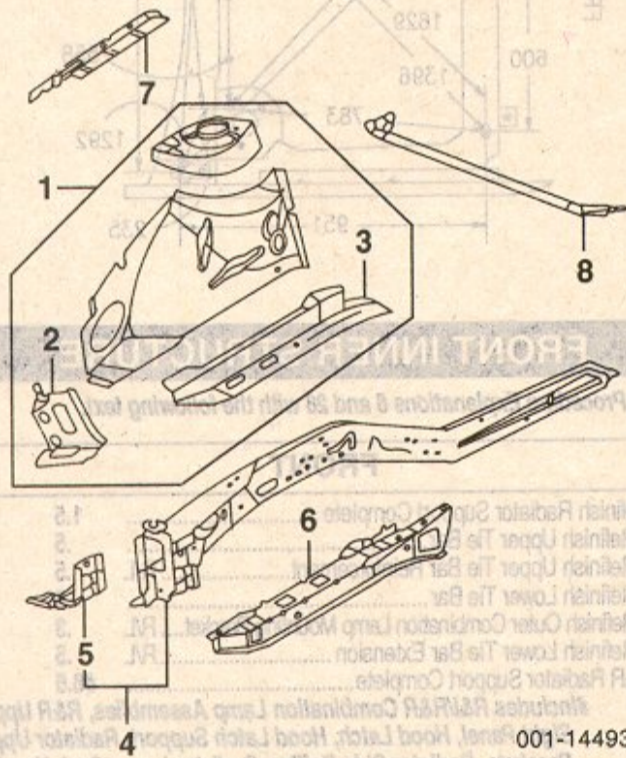
SIDE

Refinish Side Assy Complete	R/L	1.5
Refinish Apron Assy	R/L	1.0
Refinish Front Apron Panel	R/L	.3
Refinish Upper Inner Side Rail	R/L	.5
Refinish Upper Outer Side Rail	R/L	.5
Refinish Front Upper Brkt	R/L	.3
Refinish Lower Side Rail Assy	R/L	1.0
Refinish Lower Side Rail Bracket	R/L	.3
Section Apron Assy	R/L	#2.5

#Section 25mm Forward of the Strut Tower Along the Wheelhouse Area

Section Lower Side Rail Assy R/L #6.0
#Section approximately 5mm of the outboard and downward turned flanges of the Lower Side Rail

NOTE: Sectioning Templates are available for both Right and Left Lower Side Rails through the manufacturer.

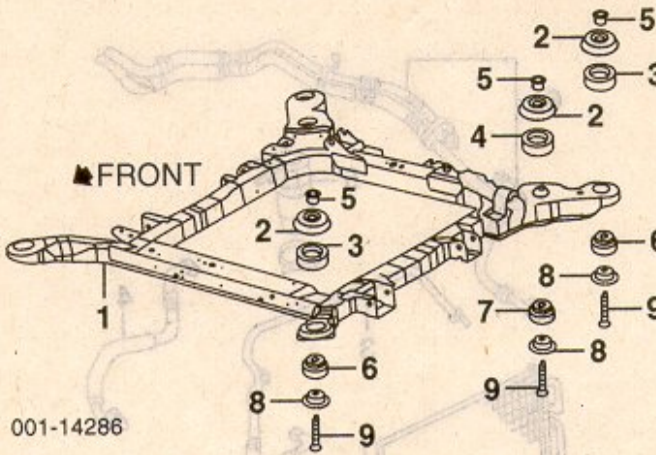


1	Apron Assy	R/L 12480760-1	s #7.5	300.31
#Includes R&R Upper Outer Side Rail, Upper Inner Side Rail and Front Upper Bracket				
2	Panel, Front Apron	R 12373340	s .8	95.14
		L 12373341	s .8	94.81
3	Rail, Upper Inner Side	R/L 12480778-9	s 1.5	13.49
#Included w/Apron Assy				
4	Rail Assy, Lower Side	R 12480766	s #10.5	1114.24
		L 12480767	s #10.5	1092.73
#w/Lower Tie Bar Removed Deduct .5, w/Apron Assy Removed Deduct 1.5				
5	Brkt, Lower Side Rail	R/L 25660649-50	s 1.5	63.31
#Included w/Lower Side Rail Assy				
6	Rail, Upper Outer Side	R/L 25660565-6	s #2.0	60.58
#w/Upper Inner Side Rail Removed Deduct .5				
7	Bracket, Front Upper	R/L 12374392-3	s 1.0	82.63
8	Brace, Cross	25653157	s .3	29.47

SUB-FRAME

Adjust Four Wheel Alignment	m	1.6
Adjust Front Wheel Alignment	m	1.0

NOTE: R&R/R&R Does Not include check or adjust alignment.



1	Sub-Frame			
1998	25681623	m #5.0	610.83	
1999-00	25742674	m #5.0	633.59	
2001				
1st Design	88983904	m #5.0	632.36	
2nd Design	25742675	m #5.0	621.78	
2002-03	25742675	m #5.0	621.78	
2004	25766845	m #5.0	752.47	

#Includes Support Engine, Disconnect & Connect Lower Control Arms, Steering Gear & Engine Mounts at Frame, w/Lower Control Arm Removed Deduct .2

2	Spacer, Cushion (3/Side)	R/L 25654083	9.39
3	Front/Rear (2/Side)	R/L 25660042	5.42
4	Center	R/L 25609339	5.21
5	Retainer, Push-On (3/Side)	R/L 25636517	.86
Cushion, Lower			
6	Front/Rear (2/Side)	R/L 25665904	10.53
7	Center	R/L 25674835	10.53
8	Retainer, Cushion (2/Side)	R/L 25609143	1.84
9	Bolt, Sub-Frame (3/Side)	98-99 R/L 11518694	3.65
		00-04 R/L 11517701	3.84

AIR BAG SYSTEM

Use Procedure Explanation 30 with the following text.

NOTE 1: R&R Does Not include disable and enable or diagnose Air Bag System.

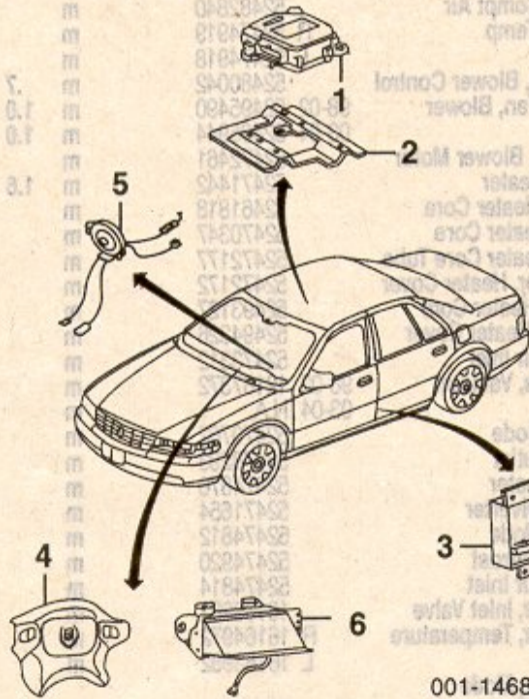
NOTE 2: Refer to Procedural Explanation 30 for Supplemental Restraint/Air Bag System Component Inspection and Replacement Information.

NOTE 3: For Air Bag System Service procedures, refer to Manufacturer's Service Repair Manual or Mitchell's Air Bag Service and Repair Manual.

FRONT

Disable & Enable Air Bag System	m	.5
Diagnose Air Bag System (If Required)	m	#.5

#Includes Disconnect & Connect Scan Tool & Retrieve/Clear Trouble Codes



1	SDM Unit, Front			
1998-99	9366410	m	.9	294.18
2000				
w/Child Presence Detector	9383240	m	.9	d268.00
w/o Child Presence Detector	12209800	m	.9	276.37
2001-04	12209800	m	.9	276.37
2	Bracket, SDM Unit	25683203		13.58
#Located Under Passenger Seat				
3	SDM Unit	98-99 R/L 25638274	m	.7
		00-04 R/L 16267999	m	.7
		N.A.		0.00
Sensor, Front Impact				
4	Module, Driver Air Bag			
		98-99 25734178	m	#.3
		00 25734198	m	#.3
		01 16823306	m	#.3

Cappuccino Cream	02-04 25728448	m	#.3	670.49
Driftwood	98 16824400	m	#.3	d638.00
Gray	02-04 25728446	m	#.3	670.49
Medici Red	98-99 25734183	m	#.3	670.49
Montana Blue	98-99 25734179	m	#.3	670.49
	00 16824323	m	#.3	d625.00
Oak	98-99 25734182	m	#.3	670.49
	00 16824321	m	#.3	d625.00
Pewter	98-99 25734184	m	#.3	670.49
	00 25734196	m	#.3	670.49
Shale	98-99 25734177	m	#.3	670.49
	00 25734197	m	#.3	670.49
Wheat	99 25734181	m	#.3	670.49
	00 25734199	m	#.3	670.49
	01 16823305	m	#.3	670.49
	02-04 25728447	m	#.3	670.49

#Included in R&R Steering Wheel

5	Coil, SIR			
SLS Model				
		98-99 26087277	m	1.3
		00 26087297	m	1.3
		01-04 26087283	m	1.3
Pwr Tilt				
		98-99 26087281	m	1.3
		00 26087304	m	1.3
		01-04 26087308	m	1.3
STS Model				
		98-99 26087281	m	1.3
		00 26087304	m	1.3
		01-03 26087308	m	1.3

#Included w/Column Assy-listed in Steering Wheel/Column Section
#Included w/Seat Belt-See Seat Belts Section
#Serviced w/Seat Belt

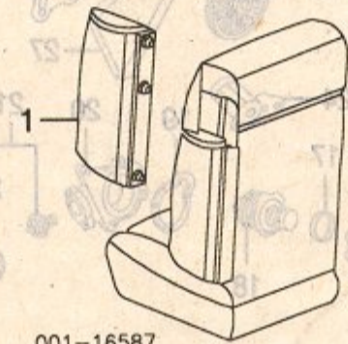
6	Module, Pass Air Bag			
		98-99 16824963	m	#.3
		00-01 16826222	m	#.3
		02-04 25731917	m	#.3

#w/Upper Pad Assy Removed

SIDE

Disable & Enable Air Bag System	m	.5
Diagnose Air Bag System (If Required)	m	#.5

#Includes Disconnect & Connect Scan Tool & Retrieve/Clear Trouble Codes



1	Module, Seat Air Bag			
Driver Side				
		98-99 25681343	m	.6
		00-04 25714352	m	.6
		98-99 25681345	m	.6
		98 25681341	m	.6
		25714355	m	.6
		98-99 25681351	m	.6
		98-99 25681349	m	.6
		98 25681353	m	.6
		99-00 25714354	m	.6
		98 25681339	m	.6
		99-04 25714351	m	.6
		99 25681347	m	.6
		00-01 25714353	m	.6
Passenger Side				
		98-99 25681342	m	.5
		00 25714358	m	.5
		01-04 25681342	m	.5
		98-99 25681344	m	.5
		98 25681340	m	.5
		25711374	m	.5
		98-99 25681350	m	.5
		98-99 25681348	m	.5
		98-99 25681352	m	.5
		00 25714360	m	.5
		25681338	m	.5
		99-01 25681346	m	.5

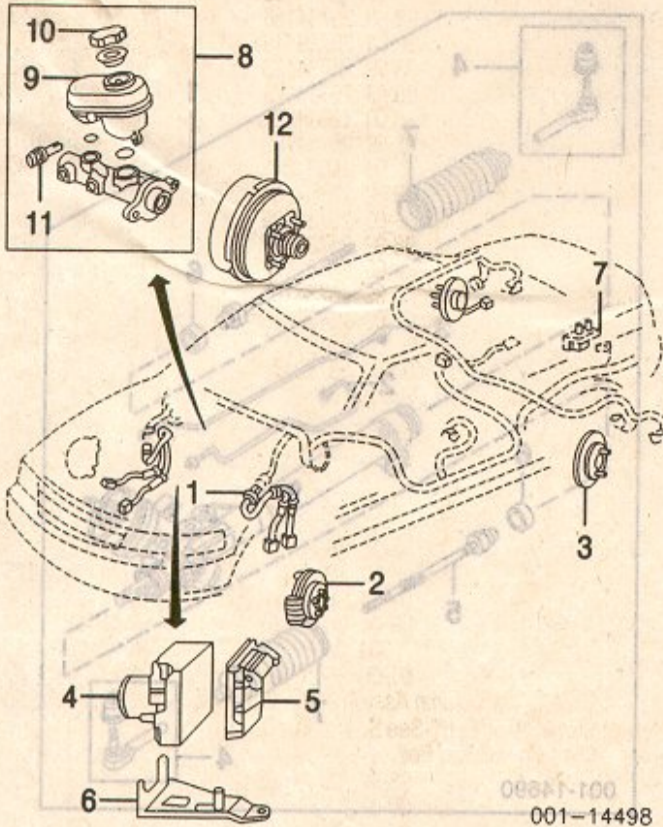
ABS/BRAKES

Bleed System	m	.5
--------------	---	----

NOTE: R&R Does Not include bleed brake system.

Illustration Located in Next Column

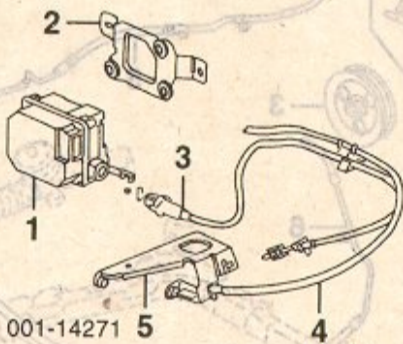
1	Harness, ABS Sensor	98-99 R/L 12165462	m	64.18
#Order by Application				
2	Sensor, Front ABS	#See Front Suspension Section		
3	Sensor, Rear ABS	#See Rear Suspension Section		
#Serviced w/Hub/Bearing Assy				
4	Valve, Pressure Modulator			
		1998-99 25731524	m	#2.3
		2000		
		w/Active Brake Control 25692169	m	#2.3
				0.00



001-14498

w/o Active Brake Control	25692168	m	#2.3	0.00
2001-04 w/Active Brake Control	25720865	m	#2.3	568.30
w/o Active Brake Control	25720866	m	#2.3	559.70
5 Module, Traction Control				
1998-99	9376717	m	#2.3	736.00
2000				
w/Active Brake Control	9382835	m	#2.3	645.26
w/o Active Brake Control	9382837	m	#2.3	645.26
2001	12208998	m	#2.3	726.82
2002-04	12226956	m	#2.3	751.46
#R&R Complete				
6 Bracket, Module				
98-99	25644653		.1	9.05
2001-04	25714313		.1	11.07
7 Sensor, Yaw Cont				
98-99	25678192	m	.9	272.45
2001-04	25737829	m	.9	333.19
8 Cylinder Assy, Brake Master				
98-00	18029759	m	.9	244.64
01-04	18044394	m	.9	234.00
9 Reservoir, Brake Master Cyl				
1998-00	18029758	m	.5	61.86
2001-04	18046508	m	.5	53.09
10 Cap, Reservoir				
18060795				23.32
11 Sensor, Level				
98-00	18029762	m	.4	10.96
01-04	18029973	m	.4	10.47
<i>*Included w/Brake Master Cylinder Assy</i>				
12 Booster, Brake				
18043672		m	#1.3	371.00
#Includes R&R Master Cylinder				

CRUISE CONTROL SYSTEM



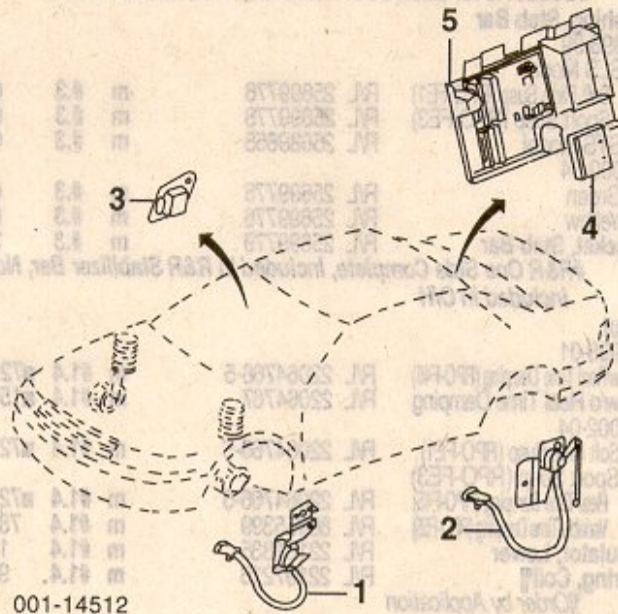
001-14271

1 Module, Cruise Control				
98-99	25344191	m	.5	339.87
00-01	25325365	m	.5	321.69
02-03	12567860	m	.5	323.54
04	12575409	m	.5	349.91
2 Bracket, Module	25635782			10.72
3 Cable, Cruise Control				
98-01	25731920	m	.5	21.96
02-04	25727038	m	.5	21.78
4 Cable, Accelerator Control	25662307			20.28
5 Bracket, Control Cable				
98-99	12561247	m	.5	3.98
00-04	25671586	m	.5	3.98

ELECTRONIC SUSPENSION COMPONENTS

Illustration Located in Next Column

1 Sensor, Frt Elect Susp				
98-99 R/L	22175742-1	m	#.6	173.64
00-04 R/L	25728487-6	m	#.6	171.34
2 Sensor, Rear Elect Susp				
98-99 R	22175744	m	#.6	133.38
L	25728489	m	#.6	155.79
00-04 R	25728488	m	#.6	165.37
L	25728489	m	#.6	155.79
#w/Hub w/Bearing Removed Deduct .3				



001-14512

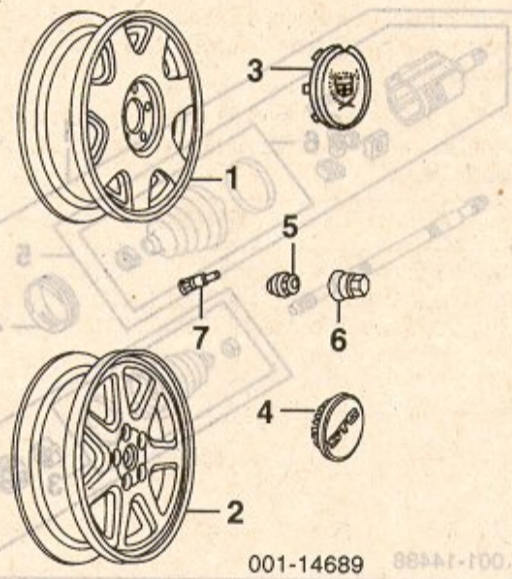
3 Accelerometer, Lateral	25702490	m		112.46
4 Module, Elect Susp Cont				
1998-99	9359230	m	.3	856.84
2000-01				
w/Keyless Entry	9386629	m	.3	891.43
w/o Keyless Entry	25720987	m	.3	913.17
2002-04				
w/Keyless Entry	25726754	m	.3	814.00
w/o Keyless Entry	25720987	m	.3	913.17
<i>*Order by Application</i>				
5 Bracket, Module				
98-02	25736743			21.93
03	25722566			22.46
04	25743632			33.35

WHEEL

Use Procedure Explanation 10 with the following text.

ALLOY WHEEL

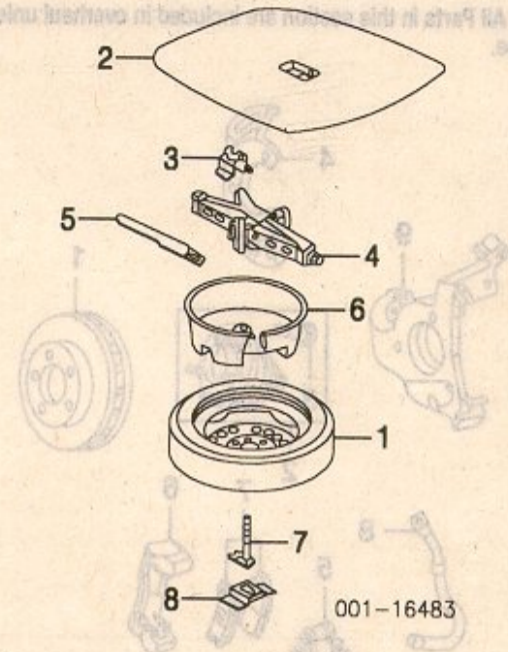
Add to R&L Spare Wheel & Tire Assy..... .2



001-14689

Wheel, Alloy				
1 SLS Model				
Chrome				
1998-00	12368853		.3	499.42
2001-02				
Stamped RKV	9592715		.3	530.03
Stamped RNR	9592896		.3	531.07
2003-04				
Silver				
1998-01	9592714		.3	530.03
2002-04	9592895		.3	530.03
2 STS Model				
Chrome				
16"	9592896		.3	531.07
17"	9593846		.3	614.44
Silver	9592895		.3	530.03
Cap, Center				
3 SLS Model				
Chrome				
98-99	3542617			41.03
00-01	9593261			38.01
02-04	9594637			39.49
98-99	9592720			41.03
00-01	9593267			40.75
02-04	9594638			39.49
Silver				
4 STS Model				
Chrome	9592899			39.49
Silver	9592898			39.49
5 Nut, Lug				
SLS Model	22526184			4.39
STS Model				
98-00	10028615			4.39
01-04	9594683			3.92
6 Cap, Lug Nut	9593175			1.53
7 Stem, Valve	274288			1.85

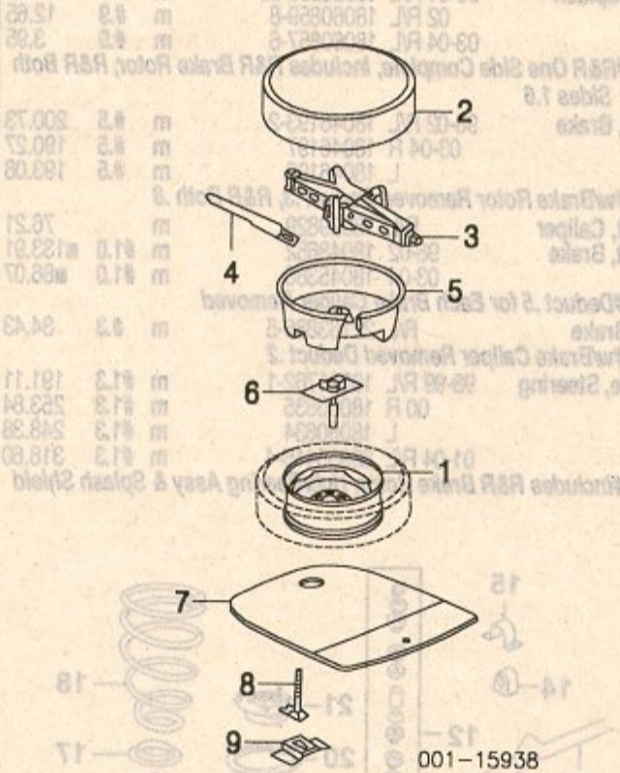
SPARE WHEEL & HARDWARE COMPACT



001-16483

1 Wheel, Spare				
SLS Model	9593686			108.90
STS Model				
98-01	9592487			226.22
02-04	9593686			108.90
2 Cover, Spare Wheel	25681963			78.78
3 Retainer, Jack	25718732			6.95
4 Jack				
98-02	25737070			67.96
03-04	25737324			51.54
5 Wrench/Handle, Wheel	25743725			15.74
6 Container, Jack	25668856			19.55
7 Bolt, Jack Hold-Down	11588297			5.40
8 Bracket, Bolt	25650571			13.49

SPARE WHEEL & HARDWARE FULL SIZE



001-15938

1 Wheel, Spare				
SLS Model				
Chrome				
98-00	12368853			499.42
01-02	9592715			530.03
03-04	N.A.			0.00
Silver				
STS Model				
Chrome	9592896			531.07
Silver	9592895			530.03
2 Cover, Spare Wheel	25669503			75.05
3 Jack				
98-02	25737070			67.96
03-04	25737324			51.54
4 Wrench/Handle, Wheel	25743725			15.74
5 Container, Jack	25668856			19.55
6 Bolt, Retaining	25658370			66.79
7 Panel, Spare Wheel	25681963			78.78
8 Bolt, Jack Hold-Down	25519739			4.44
9 Bracket, Bolt	25663271			13.81

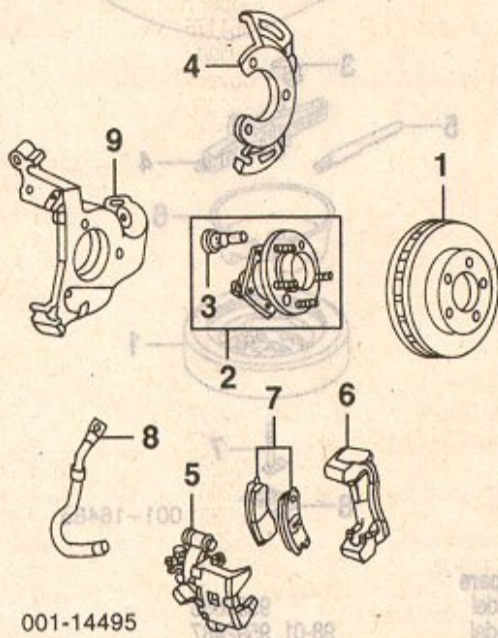
FRONT SUSPENSION

Use Procedure Explanation 11 with the following text.

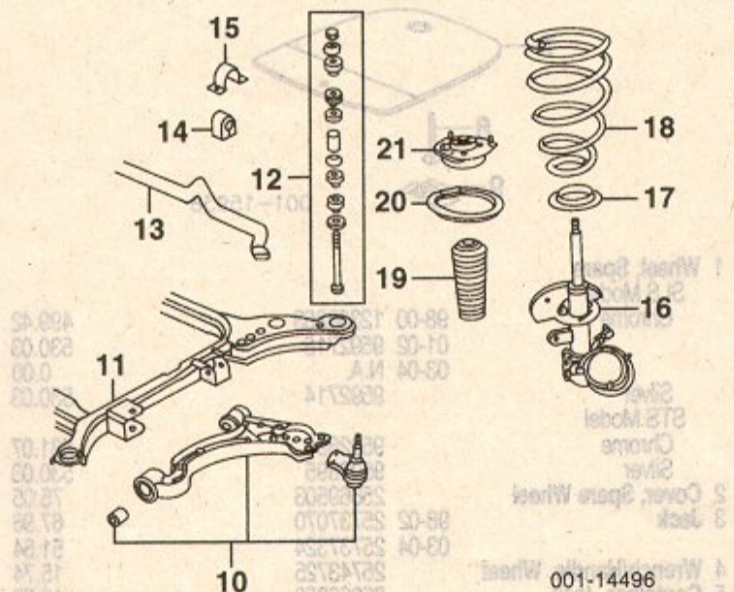
R&L Suspension (One Side).....	R/Lm	2.0
O/H Suspension (Includes R&L)		
One Side.....	R/Lm	3.0
Both Sides.....	m	5.8
Adjust Four Wheel Alignment.....	m	1.6
Adjust Front Wheel Alignment.....	m	1.0

FRONT SUSPENSION Cont'd

NOTE 1: R&R/R&R or O/H Does Not include alignment or bleed brake system.
NOTE 2: All Parts in this section are included in overhaul unless noted otherwise.



1 Rotor, Brake	1998-02 R/L 18060640	m #.6	142.10
	2003-04 R/L 18060686	m #.6	167.27
Order by Application #R&R Both 1.0			
2 Hub/Bearing Assy (a)	1998-00 R/L 12429204	m #.9	401.70
	2001-04 R/L 12429205	m #.9	401.70
(a) Includes Front ABS Sensor			
3 Stud, Wheel	R/L 9595178	m	3.72
Included w/Hub/Bearing Assy			
4 Shield, Splash	98-01 R/L 18023590-89	m #.9	12.65
	02 R/L 18060859-8	m #.9	12.65
	03-04 R/L 18060857-6	m #.9	3.95
#R&R One Side Complete, Includes R&R Brake Rotor, R&R Both Sides 1.6			
5 Caliper, Brake	98-02 R/L 18046193-2	m #.5	200.73
	03-04 R 18046197	m #.5	190.27
	L 18046196	m #.5	193.08
#w/Brake Rotor Removed Deduct .3, R&R Both .8			
6 Bracket, Caliper	R/L 18029829	m	76.21
7 Pad Set, Brake	98-02 18048652	m #1.0	133.91
	03-04 18045380	m #1.0	86.07
#Deduct .5 for Each Brake Caliper Removed			
8 Hose, Brake	R/L 22163886-5	m #.3	34.43
#w/Brake Caliper Removed Deduct .2			
9 Knuckle, Steering	98-99 R/L 18021762-1	m #1.3	191.11
	00 R 18060635	m #1.3	253.84
	L 18060634	m #1.3	248.38
	01-04 R/L 88955415-4	m #1.3	318.60
#Includes R&R Brake Rotor, Hub/Bearing Assy & Splash Shield			



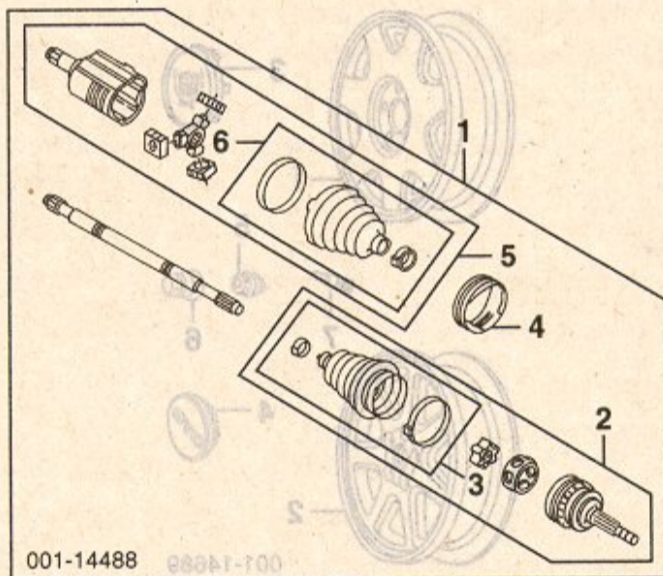
10 Arm, Lower Control	1998-99 R/L 25699468-7	m #1.0	293.40
	2000 R/L 25696335-4	m #1.0	312.90
	2001-03 R/L 25746325-4	m #1.0	293.40
	2004 R/L 25766510-1	m #1.0	136.79
Order by Application #w/Steering Knuckle Removed Deduct .5, R&R Both Sides 1.8			
11 Sub-Frame-See Front Inner Structure Section			
12 Link Kit, Stabilizer	R/L 25715934	m #.5	13.19
#Included in R&R Stabilizer Bar, R&R Both .7			
13 Bar, Stabilizer	SLS Model		
	Soft Ride Susp (RPO-FE1) 25640436	m #1.6	105.16
	Sport Susp (RPO-FE3) 98-00 25640438	m #1.6	113.39
	01-04 25640437	m #1.6	116.88
	STS Model 98-00 25640438	m #1.6	113.39

14 Bushing, Stab Bar	1998-99 SLS Model		
	Soft Ride Susp (RPO-FE1) R/L 25699776	m #.3	6.84
	Sport Susp (RPO-FE3) R/L 25699778	m #.3	6.96
	STS Model R/L 25689655	m #.3	0.00
	2000-04 Green R/L 25699778	m #.3	6.96
	Yellow R/L 25699776	m #.3	6.84
15 Bracket, Stab Bar	R/L 25699779	m #.3	3.95
#R&R One Side Complete, Included in R&R Stabilizer Bar, Not Included in O/H			
16 Strut	1998-01 w/Real Time Damping (RPO-F45) R/L 22064766-5	m #1.4	721.36
	w/o Real Time Damping R/L 22064767	m #1.4	156.90
	2002-04 Soft Ride Susp (RPO-FE1) R/L 22064766-5	m #1.4	721.36
	Sport Susp (RPO-FE3) R/L 22064766-5	m #1.4	721.36
	Real Time Damping (RPO-F45) R/L 88955399	m #1.4	781.90
	Variable Time Damping (RPO-F55) R/L 22181835	m #1.4	11.93
17 Insulator, Lower	R/L 22197216	m #1.4	94.93
18 Spring, Coil			
Order by Application			
19 Shield, Strut	1998-01 R/L 22182407	m #1.4	43.88
	2002-04 SLS Model R/L 22171356	m #1.4	43.49
	STS Model R/L 22165423	m #1.4	36.80
20 Insulator, Upper	98-01 R/L 22092693	m #1.4	12.51
	02-04 R/L 22189860	m #1.4	12.09
21 Mount, Strut	1998-01 R/L 22197789	m #1.4	111.96
	2002-04 SLS Model R/L 22197789	m #1.4	111.96
	STS Model R/L 88955401	m #1.4	119.55
#R&R One Side Complete, w/Steering Knuckle Removed Deduct .9, R&R Both Sides 2.6			

FRONT DRIVE AXLE

R&I Axle Shaft Assy	R/Lm #1.3	
O/H Axle Shaft Assy	R/Lm #1.8	
#w/Steering Knuckle Removed Deduct 1.0		

NOTE: All Parts in this section are included in overhaul unless noted otherwise.

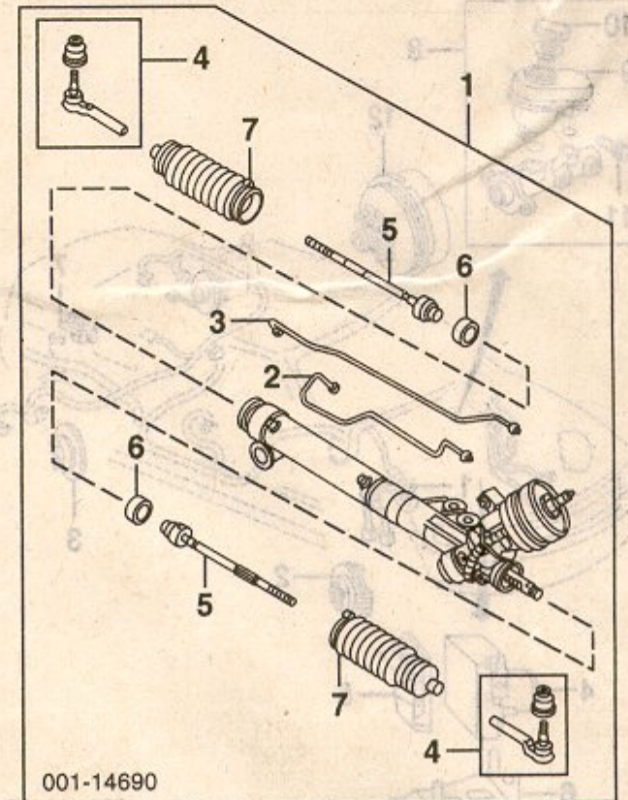


1 Shaft Assy, Axle	98-99 R/L 26063201	m #1.3	820.62
	00-04 R/L 26075603	m #1.3	577.42
#w/Steering Knuckle Removed Deduct 1.0			
2 Joint Assy, Outer	98-99 R/L 26044408	m #1.7	246.44
	00-04 R/L 26075596	m #1.7	561.39
3 Boot Kit, Outer (a)	R/L 26044383	m #1.7	38.02
(a) Included w/Outer Joint Assy			
#R&R One Side Complete, Includes R&R/R&R Axle Shaft, w/Steering Knuckle Removed Deduct 1.0			
4 Bushing, Tripot	R/L 26053279	m #1.7	9.64
5 Joint Assy, Inner	98-99 R/L 26063189	m #1.7	272.77
	00-04 R/L 26075588	m #1.7	502.74
6 Boot Kit, Inner (a)	98-99 R/L 26060112	m #1.7	48.51
	00-04 R/L 26075585	m #1.7	66.85
(a) Included w/Axle Shaft Assy			
(a) Included w/Inner Joint Assy			
#R&R One Side Complete, Includes R&R/R&R Axle Shaft, w/Steering Knuckle Removed Deduct 1.0			

FRONT STEERING LINKAGE/GEAR

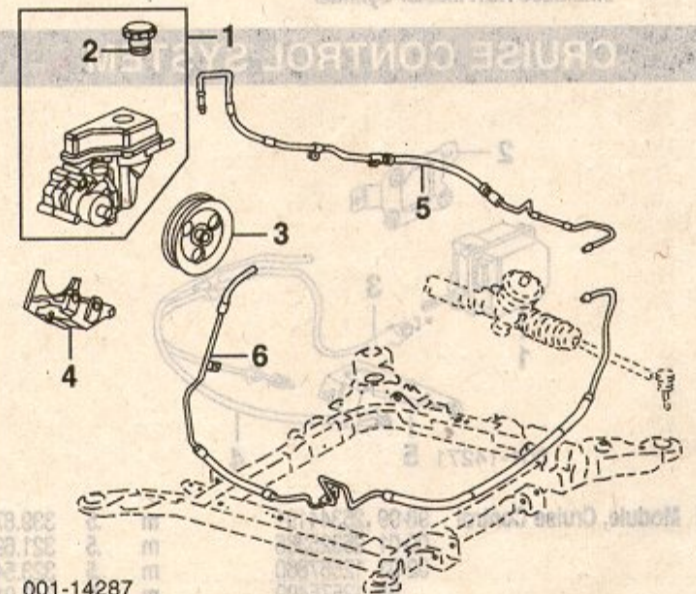
R&I Steering Gear	m 2.6
O/H Steering Gear (Includes R&I)	m 4.6

NOTE 1: R&I/R&R or O/H Does Not include adjust wheel alignment.
NOTE 2: All Parts in this section are included in overhaul unless noted otherwise.



1 Gear Assy, Steering	1998 26063677	m 3.0	R880.92
	1999-00 26100142	m 3.0	R898.46
	2001 ACDelco 36-9200 26100142	m 3.0	R898.46
	ACDelco 36-9231 26099972	m 3.0	R886.37
	2002 26100142	m 3.0	R898.46
	2003-04 26099972	m 3.0	R886.37
Order by Application			
2 Line Kit, Right Fluid	98-01 26068225	m .5	37.39
	02-04 26087551	m .5	22.49
3 Line Kit, Left Fluid	98-01 26068224	m .5	37.72
	02-04 26087550	m .5	34.50
4 Rod, Outer Tie	98 R/L 26067285	m .3	72.51
	99-01 R/L 89047749	m .3	35.32
	02-04 R/L 26086578	m .3	103.21
5 Rod, Inner Tie	R/L 21011026	m #.8	88.91
6 Ring, Damper	R/L 7836349	m #.8	6.47
7 Boot, Inner Tie Rod	R/L 21011025	m #.8	38.69
(a) Included w/Steering Gear Assy			
#R&R One Side Complete, w/Steering Gear Removed, Includes R&R Outer Tie Rod Assy, R&R Both Sides 1.0			

STEERING PUMP



1 Pump Assy, Steering	98-99 26073311	m 1.3	326.93
	00-04 88955485	m 1.3	180.29
2 Cap, Reservoir	26095324		20.96
(a) Included w/Steering Pump Assy			
3 Pulley, Pump	12558529	m #1.3	34.86
#Includes R&I/R&R Steering Pump Assy			
4 Bracket, Pump	26059743	#.2	60.18
#w/Steering Pump Assy Removed			
5 Hose, Pressure	98-99 26073568	m 1.3	157.86
	00 26074273	m 1.3	127.85
	01-04 25737839	m 1.3	170.82
6 Hose, Return	98-99 26070225	m 1.3	102.25
	00-04 26086317	m 1.3	102.16

STEERING WHEEL/COLUMN

NOTE: All Parts in this section are included in overhaul unless noted otherwise.

WHEEL & TRIM

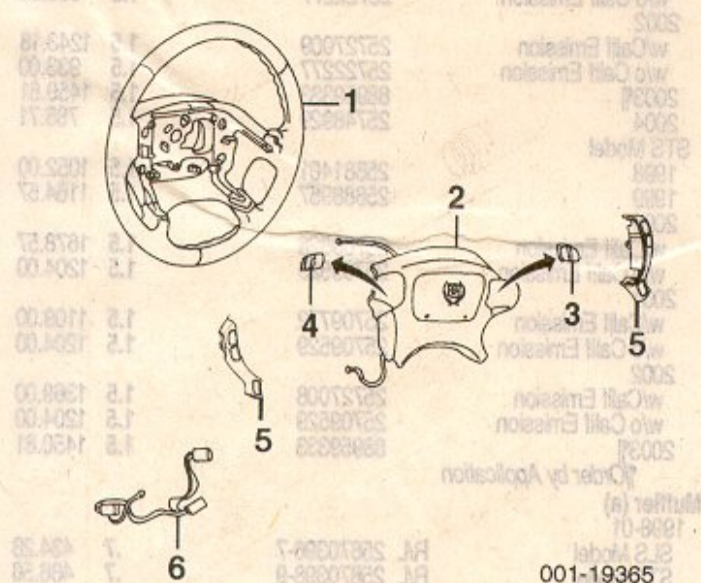


Table of parts for Wheel & Trim assembly. Includes items like Wheel, Steering Leather Wrapped Black, Blue, Cappuccino Cream, Gray, Medici Red, Oak, Pewter, Shale, Wheat, and various color options for the harness and switches.

Table for Column Manual Tilt parts, including Refinish Column Housing, R&I Steering Column, and O/H Steering Column (Includes R&I).

Table for Column Power Tilt parts, including R&I Steering Column, O/H Steering Column (Includes R&I), and various components like Coil, SIR, Plate, Lock, Cam, Cancel, and Housing, Column.

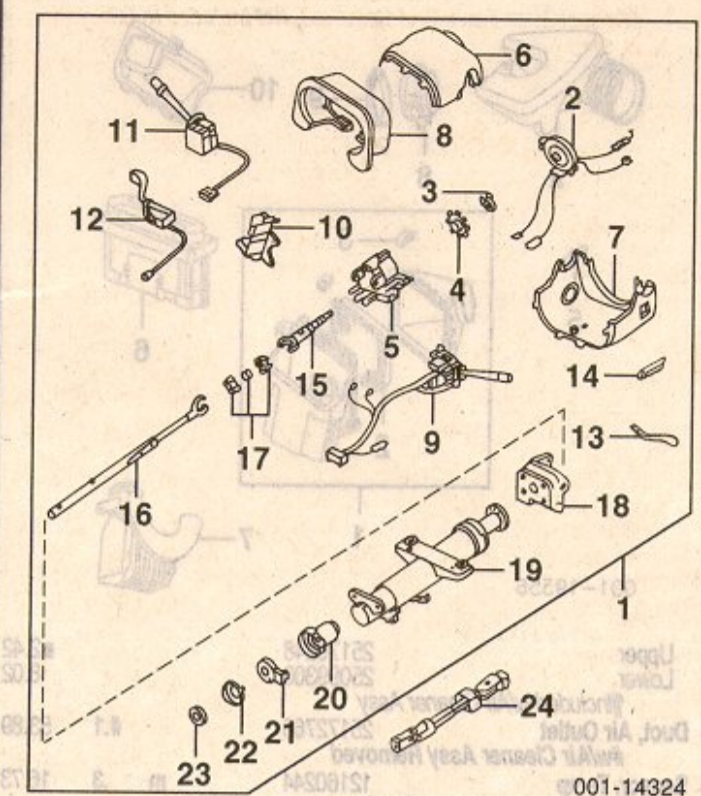


Table of parts for Column Power Tilt assembly, including Cover, Lower Hsg, Shroud, Hsg Cover, Switch, Turn Signal, Bracket, Switch, Switch, Wiper, Switch, Cruise Control, Lever, Tilt, Boot, Tilt Lever, Shaft, Upr Steering, Shaft, Lower Steering, Sphere Kit, Support, Housing, Jacket, Column, Adapter, Lower Bearing, Sensor, Wheel Position, Retainer, Lower Bearing, Seal, Strg Shaft, and Shaft, Intermediate.

Table for Column Manual Tilt parts, including R&I Steering Column and O/H Steering Column (Includes R&I).

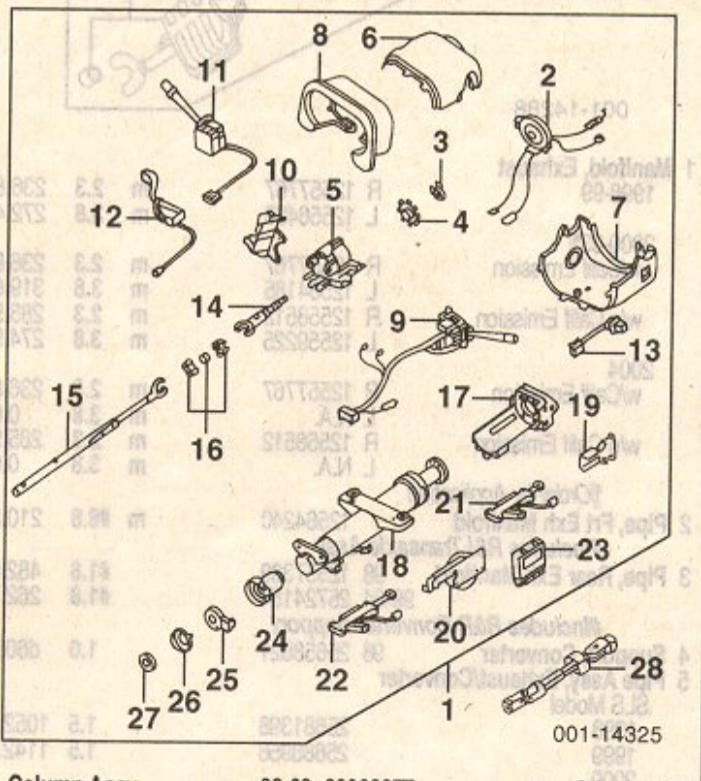


Table of parts for Column Manual Tilt assembly, including Column Assy.

Large table of parts and prices for Wheel & Trim, Column Power Tilt, and Column Manual Tilt assemblies, including items like Coil, SIR, Plate, Lock, Cam, Cancel, Housing, Column, Cover, Upper Hsg, Cover, Lower Hsg, Shroud, Hsg Cover, Switch, Turn Signal, Bracket, Switch, Switch, Wiper, Switch, Cruise Control, Lever, Tilt, Boot, Tilt Lever, Shaft, Upr Steering, Shaft, Lower Steering, Sphere Kit, Support, Housing, Jacket, Column, Adapter, Lower Bearing, Sensor, Wheel Position, Retainer, Lower Bearing, Seal, Strg Shaft, and Shaft, Intermediate.

ENGINE/TRANS

Use Procedure Explanation 12 with the following text. R&I Engine/Trans Assy m 13.0

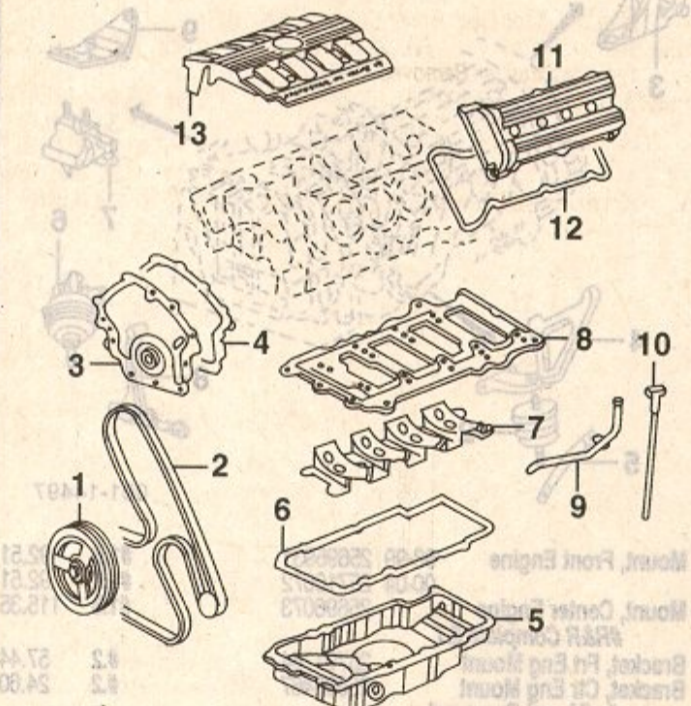


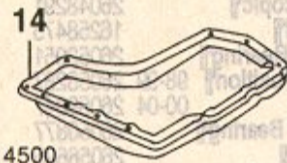
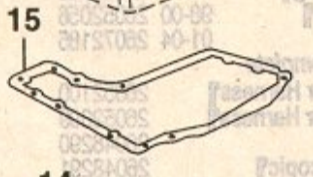
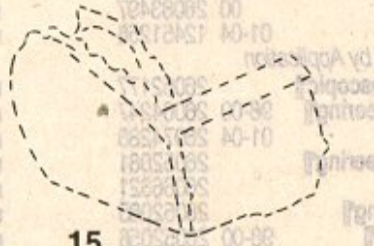
Table of parts for Engine/Trans assembly, including Damper, Crankshaft, Belt, Drive, Cover, Timing, Gasket, Timing Cover, Pan, Eng Oil, Gasket, Eng Oil Pan, Baffle, Eng Oil Pan, Manifold, Eng Oil Pan, Tube, Eng Oil Dipstick, and Dipstick, Eng Oil.

ENGINE/TRANS Cont'd

11 Cover, Valve	98-99 R	12556925	m	#2.6	429.82
	L	12556923	m	#2.0	467.21
	00-01 R	12564807	m	#2.6	163.25
	L	12564806	m	#2.0	163.25
12 Gasket, Valve Cover	02-03 R	12574252	m	#2.6	163.25
	L	12564806	m	#2.0	163.25
	04 R	12583174	m	#2.6	138.23
	L	12583173	m	#2.0	141.84
13 Cover, Intake Manifold	98-99 R	3536903	m	#2.6	13.28
	L	3536900	m	#2.0	13.28
	00-04 R	12553828	m	#2.6	19.54
	L	12553826	m	#2.0	19.54

#R&R One Side Complete, R&R Both Sides 4.0

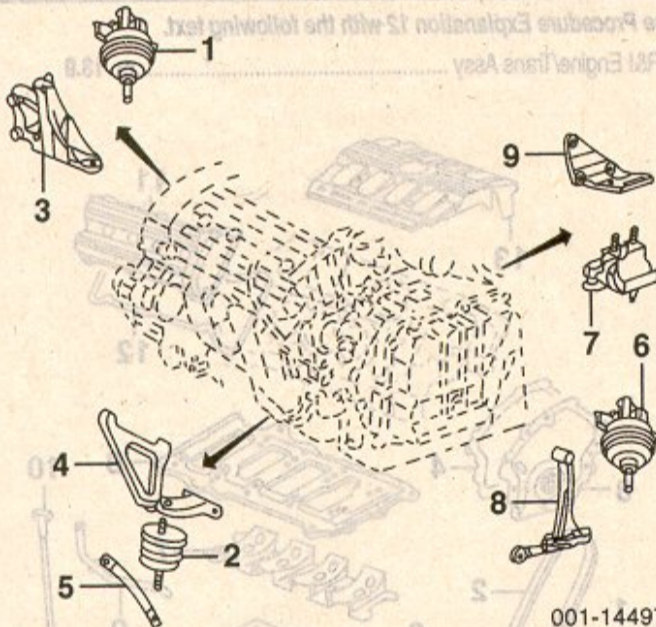
13 Cover, Intake Manifold	98-99	12555611	m	.6	75.42
	00-02	12568137	m	.6	74.63
	03	12574592	m	.6	67.48
	04	12585374	m	.6	102.16



001-14500

14 Pan, Trans Oil	8681485	m	#.8	42.18
15 Gasket, Trans Oil Pan	24209512	m	#.8	36.68

ENGINE/TRANS MOUNTS



001-14497

1 Mount, Front Engine	98-99	25695931	#1.6	92.51
	00-04	25710672	#1.6	92.51
2 Mount, Center Engine		25696073	#1.6	115.35
#R&R Complete 2.7				
3 Bracket, Frt Eng Mount		25701764	#.2	57.44
4 Bracket, Ctr Eng Mount		25638467	#.2	24.60
#w/Mount Removed				
5 Brace, Ctr Eng Mount (2)	98-99	3545140	.2	11.07
	00-04	12560727	.2	5.58
6 Mount, Rear Trans		25695932	#.9	95.70
7 Mount, Ctr Trans		25696037	#1.6	57.40
8 Bracket, Rear Trans Mount		25740665	#.9	63.54
9 Bracket, Center Trans Mount		25691448	#1.6	43.00

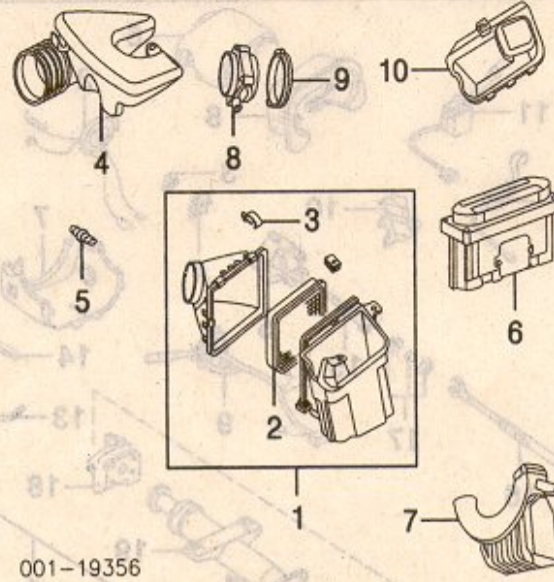
#R&R Trans Mount and Bracket Complete

AIR CLEANER

R&I Air Cleaner Assy 3

Illustration Located in Next Column

1 Cleaner Assy, Air	98-03	25176541	m	.6	171.40
	04	89047771	m	.6	181.68
2 Element, Air Cleaner		25099149	.5	0.00	
3 Clamp, Air Cleaner (2)		25043286		2.21	
Insulator, Air Cleaner					

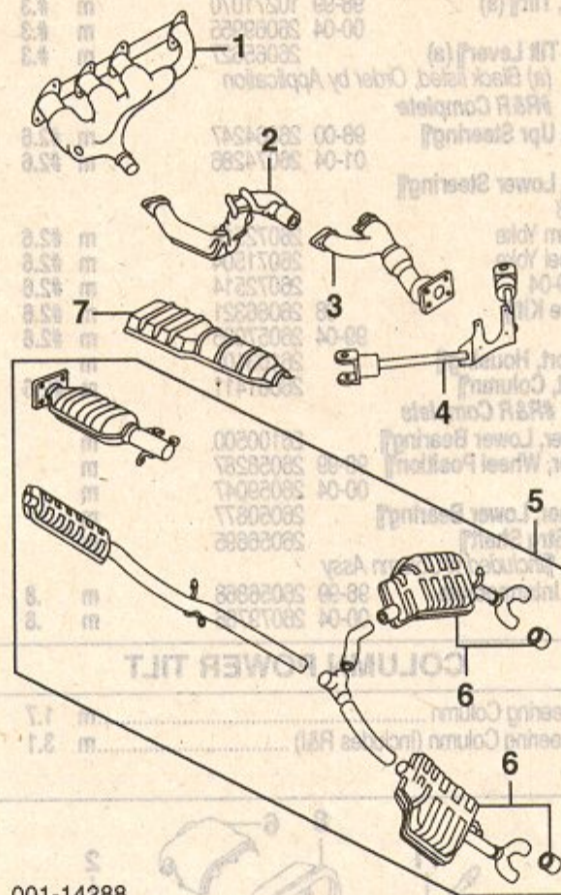


001-19356

Upper	25176248	#2.42
Lower	25099300	8.02
#Included w/Air Cleaner Assy		
4 Duct, Air Outlet	25172760	#.1 53.89
#w/Air Cleaner Assy Removed		
5 Sensor, Temp	12160244	m .3 16.73
6 Module, PCM-See Electrical Section		
7 Duct, Air Intake	98-99 25168145	#.2 21.18
	00-04 25313072	#.2 21.56
Seal, Intake Duct	25171384	#.2 3.91
#R&R Complete		
8 Sensor, Mass Air Flow-See Emission System Section		
9 Seal, Sensor	25172764	6.37
10 Cover, Housing	25176542	.1 35.84

EXHAUST

R&R Exhaust System Complete #2.2
#Does Not Include R&R Exhaust Manifolds, Front Exhaust Manifold Pipe or Converter Shield



001-14288

1 Manifold, Exhaust	1998-99	R 12557767	m	2.3	236.89
		L 12556488	m	3.8	272.45
	2000-03				
	w/Calif Emission	R 12557767	m	2.3	236.89
		L 12564185	m	3.8	319.64
	w/o Calif Emission	R 12558512	m	2.3	285.57
		L 12559225	m	3.8	274.59
	2004				
	w/Calif Emission	R 12557767	m	2.3	236.89
		L N.A.	m	3.8	0.00
	w/o Calif Emission	R 12558512	m	2.3	285.57
		L N.A.	m	3.8	0.00
#Order by Application					
2 Pipe, Frt Exh Manifold		12564240	m	#8.8	210.32
#Includes R&I Transaxle Assy					
3 Pipe, Rear Exh Manifold	98	12557389	#1.8	482.02	
	99-04	25724154	#1.8	262.79	
#Includes R&R Converter Support					
4 Support, Converter	98	25658621	1.0	d60.25	
5 Pipe Assy, Exhaust/Converter					
	SLS Model				
	1998	25681398	1.5	1052.00	
	1999	25688956	1.5	1142.86	
	2000				
	w/Calif Emission	25695278	1.5	1571.43	

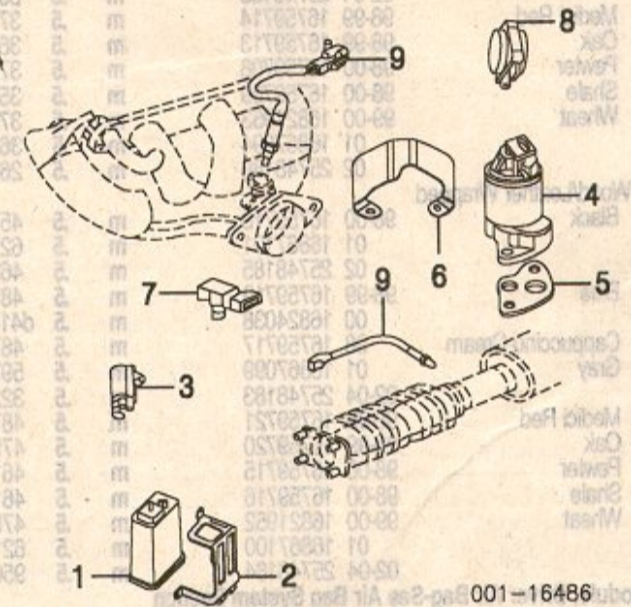
w/o Calif Emission	25697681	1.5	1071.43
2001			
w/Calif Emission	25709771	1.5	1112.00
w/o Calif Emission	25722277	1.5	933.00
2002			
w/Calif Emission	25727009	1.5	1243.18
w/o Calif Emission	25722277	1.5	933.00
2003	88959333	1.5	1450.81
2004	25748929	1.5	785.71
STS Model			
1998	25681401	1.5	1052.00
1999	25688957	1.5	1164.57
2000			
w/Calif Emission	25709528	1.5	1678.57
w/o Calif Emission	25709529	1.5	1204.00
2001			
w/Calif Emission	25709772	1.5	1109.00
w/o Calif Emission	25709529	1.5	1204.00
2002			
w/Calif Emission	25727008	1.5	1369.00
w/o Calif Emission	25709529	1.5	1204.00
2003	88959333	1.5	1450.81

#Order by Application

6 Muffler (a)			
1998-01			
SLS Model	R/L 25670396-7	.7	434.28
STS Model	R/L 25670398-9	.7	486.56
2002-04-Serviced w/Exhaust Pipe/Converter Assy			
(a) Included w/Exhaust Pipe/Converter Assy			

7 Shield, Converter	98-99 25657568	#.3	33.82
	00-04 25729651	#.3	24.89
#w/Exhaust Pipe Assy Removed			
Sensor, Oxygen-See Emission System Section			

EMISSION SYSTEM

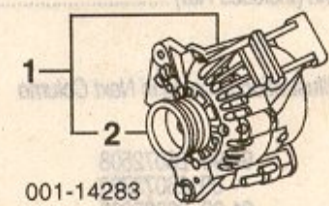


001-16486

1 Canister, Vapor	17113332	m	.5	128.13
2 Bracket, Canister	17113521			43.88
3 Valve, Canister Purge	98-99 1997278	m	.3	18.71
	00-03 1997279	m	.3	24.75
	04 12573220	m	.3	25.62
4 Valve, EGR	98-99 17113713	m	.7	232.46
	00-03 12568582	m	.7	201.84
	04 12576918	m	.7	195.97
5 Gasket, EGR Valve	98-00 3522442	m		6.36
	01-04 12558353	m		6.36
6 Bracket, EGR Valve	12562773			3.74
7 Sensor, MAP	9359409	m	.5	68.61
8 Sensor, Mass Air Flow	98-99 3540523	m	.6	208.65
	00-04 25318411	m	.6	192.85
9 Sensor, Oxygen				
Catalytic Converter (2)	98-99 25312197	m	.3	116.80
	00-04 12559850	m	.3	106.40
Exh Manifold (2)	98-99 25312211	m	.8	88.46
	00 25315373	m	.8	85.73
	02-04 12559849	m	.8	116.80

ELECTRICAL

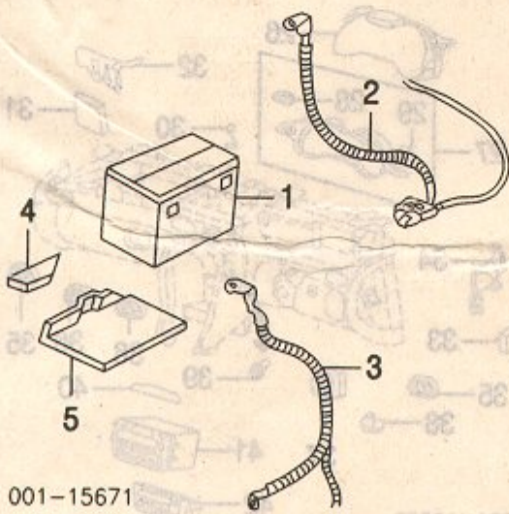
ALTERNATOR



001-14283

1 Alternator Assy	98-99 10464581	m	2.0	R590.27
	00 10464434	m	2.0	R676.98
	01-04 25759776	m	2.0	502.79
2 Pulley, Alternator				
	1989104	m	#.2	23.35
2000-04-Serviced w/Alternator Assy				
#Included w/Alternator Assy				
#w/Alternator Removed				
Belt, Drive-See Engine/Trans Section				

BATTERY



001-15671

1 Battery	N.A.	#.5	0.00
#Includes R&I Rear Seat Cushion			
2 Cable, Positive Battery	98-99 15320988	1.5	213.00
	00-04 15321181	1.5	180.03
3 Cable, Negative Battery	98-02 88953170	.5	39.88
	03-04 88953170	.5	39.88
4 Hold-Down, Battery	25558374		5.44
5 Tray, Battery	25681272		27.21

HORN

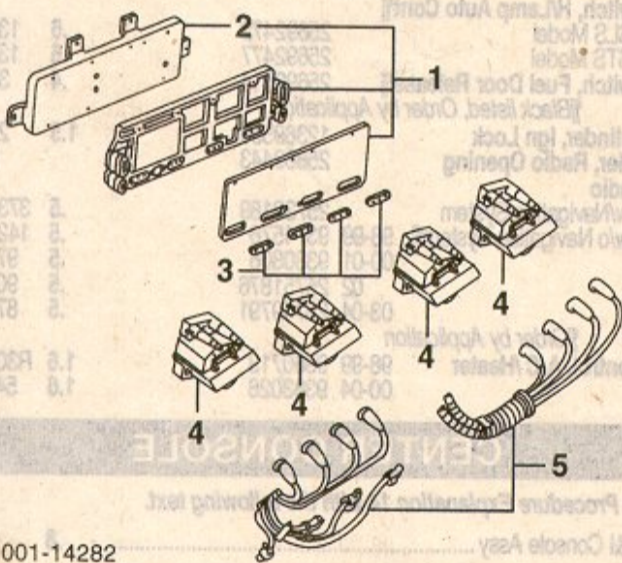


001-14649

1 Horn		#.5	
A High Note	12368063	#.5	38.43
F Low Note	12368064	#.5	44.05
#R&R Complete			
2 Relay, Horn	12088567	m .3	17.29

**IGNITION
1998-99**

R&I Ignition Coils Complete.....m .6



001-14282

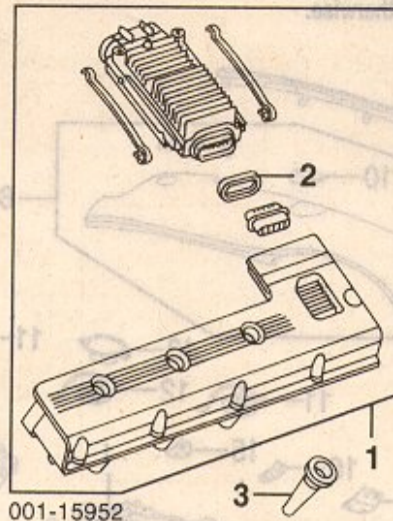
1 Module Assy, Ignition Control	10477276	m .5	512.34
2 Bracket, Module	10492185	m	39.93
#Included w/Ignition Control Module Assy			
3 Seal, Coil (4)	1989579	m	2.08
4 Coil, Ignition (4)	10472401	m #.3	56.00
#R&R Complete .6			
5 Wire Set, Ignition	12192081	m .6	154.31

**IGNITION
2000-04**

R&I Ignition Coils Complete.....m .9

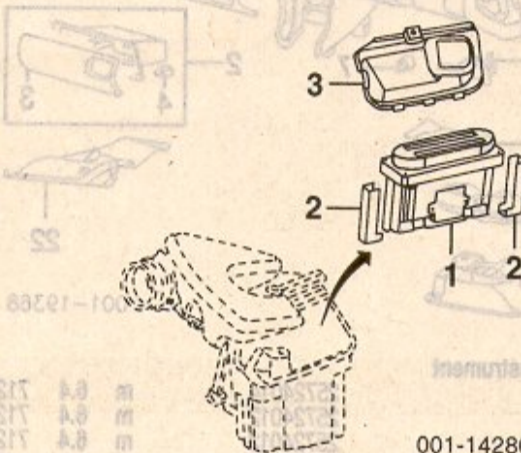
Illustration Located in Next Column

1 Coil Assy, Ignition	00-03 R 1104075	m #.5	283.22
	L 1104076	m #.6	283.22
	04 R 12567285	m #.5	206.51
	L 12567285	m #.6	206.51
#R&R Complete .9			
2 Seal, Ign Coil	R/L 10457782	m	21.43
#Included w/Ignition Coil Assy			
3 Boot, Spark Plug (4/Side)	R/L 12163650	m	3.77



001-15952

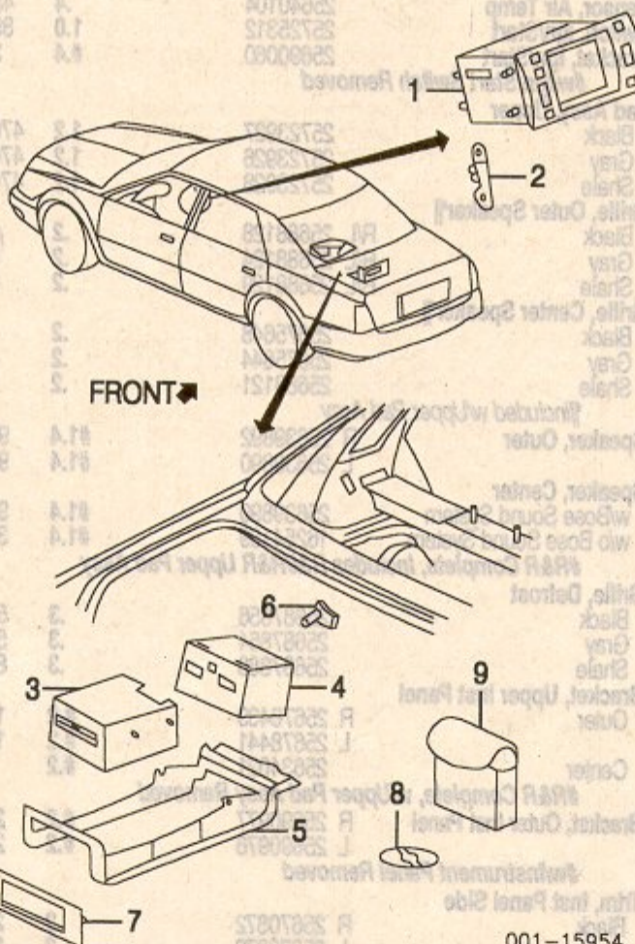
POWERTRAIN CONTROLS



001-14280

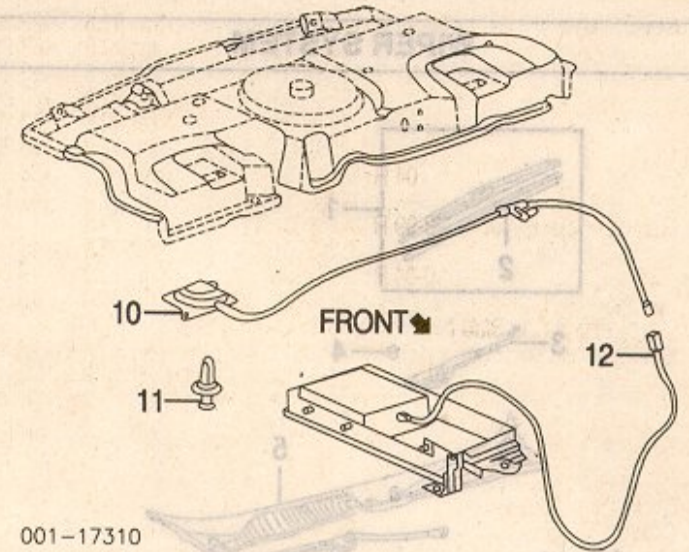
1 Module, PCM	98-99 16214848	m #1.6	R271.68
	00-02 12573650	m #1.6	819.93
	03 12573503	m #1.6	807.81
	04 12587465	m #1.6	913.50
#Includes R&I Air Cleaner Housing			
2 Insulator, Module (2)	98-99 12556198		6.14
3 Cover, Housing-See Air Cleaner Section			

NAVIGATION SYSTEM



001-15954

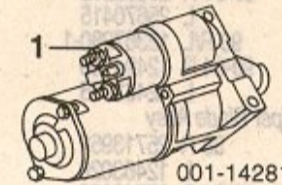
1 Display, On-Star Navigation	2000-01	25713537	m .7	1664.54
	2002-04 (a) See Instrument Panel Section		m .7	
#Order by Application				
(a) Serviced w/Radio				
2 Bracket, Display		25682528		10.22
3 Processor, Navigation	00-01 25722819	m .8	1592.86	
	02-04 N.A.	m .8	0.00	
4 Receiver, Navigation	00-01 9382816	m .5	693.04	
5 Bracket	25695109		18.12	
6 Stud, Bracket	25643287		1.21	
7 Filler, Opening	25713543		3.58	
8 Disc, Data	25745150		91.48	
#Order by Application				
9 Case, Data Disc	00-01 25702363		40.60	



001-17310

10 Antenna, Navigation			
SLS Model	25698076	m #.6	117.53
STS Model	9387386	m #.6	91.35
11 Retainer, Antenna (2)	20664092		.63
12 Cable, Antenna	15324778	m #.6	33.26
#R&R Complete, Included in R&I Package Tray Panel Assy			

STARTER



001-14281

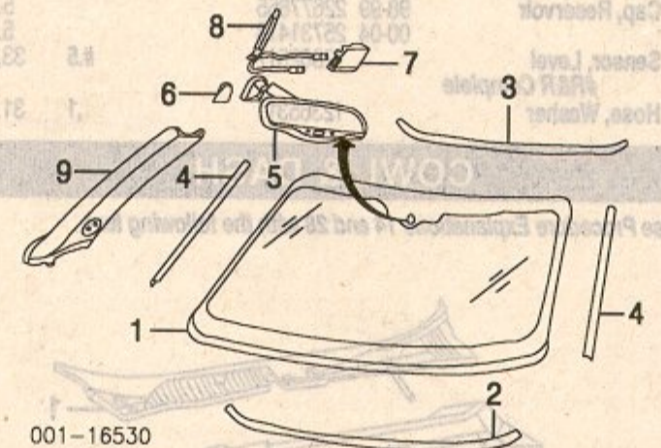
1 Starter	98-00 10465294	m 2.5	R220.62
	01-02 10465523	m 2.5	R285.16
	03-04 10465558	m 2.5	R289.44

WINDSHIELD

Use Procedure Explanation 13 with the following text.

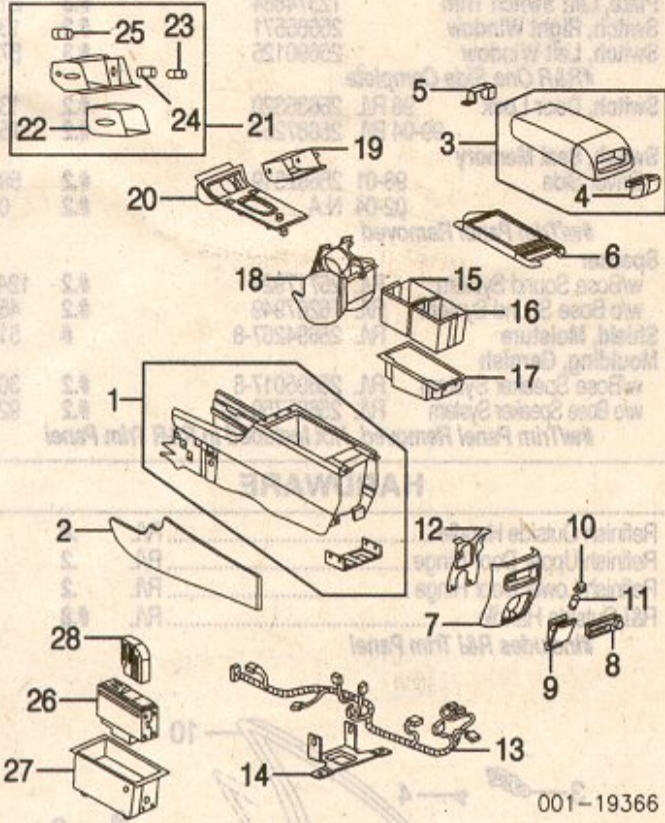
R&I Windshield Glass.....#2.7

#Includes Clean Up Old Adhesive as Necessary



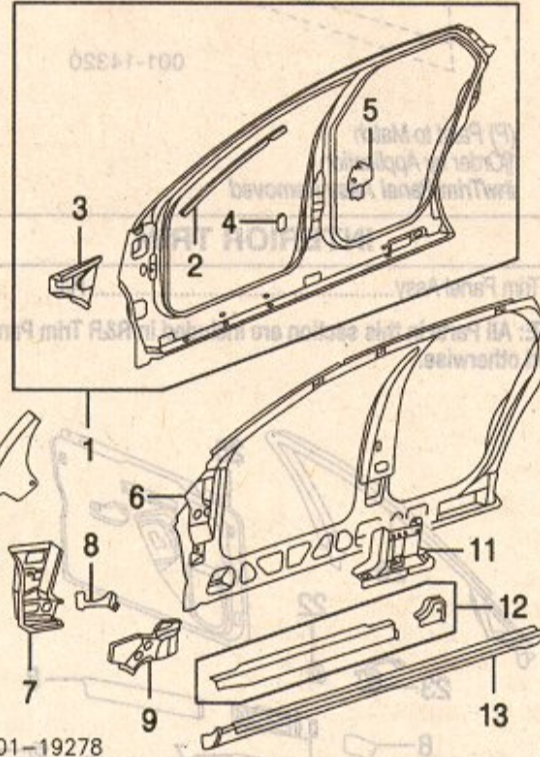
001-16530

1 Glass, Windshield			
Cadillac			
1998-00	25746709	#2.4	1495.20
2001-04			
w/Rain Sensor	25700812	#2.4	697.98
w/o Rain Sensor	25746709	#2.4	1495.20
NAGS			
1998-00	DW01322GBN	#2.4	794.15
2001-04	DW01419GBY	#2.4	1246.70
#Includes Clean Up Old Adhesive as Necessary			
Adhesive, Windshield	N.A.		0.00
2 Strip, Sealing	25678194		3.92
3 Moulding, Upr Reveal	25727225	#2.4	18.26
#Included in R&I/R&R Windshield Glass			
4 Moulding, Side Reveal	R/L 25731723-4	.3	47.31
5 Mirror, Rear View			
1998-99			
w/Compass	25674635	.3	331.42
w/o Compass	25678861	.3	147.86
2000-04			
w/On-Star	25743655	.3	0.00
w/o On-Star	25713432	.3	130.26
#Order by Application			
6 Bracket, Mirror	25653132	#.2	14.66
#w/Mirror Removed			
7 Sensor, Moisture	98-00 12483077	#.2	237.25
	01-04 25705636	#.2	251.19
#Included in R&I Windshield			
8 Cover, Wiring Harness	98-99 15195146		3.42
	00-04 25715947		3.64
9 Moulding, W/S Garnish	R 25702550	.3	67.77
	L 25702551	.3	67.17
#Black listed, Order by Application			



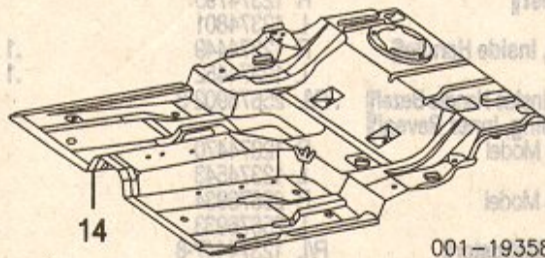
001-19366

- Refinish Center Pillar..... R/L 1.0
- Refinish Lock Pillar Section..... R/L .8
- Refinish Rocker Moulding..... R/L .8
- R&I Outer Rocker Moulding..... R/L .6
- Section Rocker, Center Pillar & Lock Pillar..... R/L #14.0
#w/Windshield, Back Glass, Doors & Interior Trim Removed,
Section in the Center of the Front Hinge Pillar and Below Roof
Line on the Center Pillar and Lock Pillar
- Section Rocker Panel & Center Pillar..... R/L #11.5
#w/Doors Removed, Section in the Center of the Front Hinge
Pillar, Below the Roof Line on the Center Pillar & Between the
Rear Door Opening on the Rocker
- Section Center Pillar..... R/L #6.5
#w/Rear Door Removed, Section below Roof line and between
Door opening
- Section Lock Pillar..... R/L #5.5
#Section below Roof line and between Door opening



001-19278

- 1 Frame Assy, Outer Side Body R/L 12373330-1 s #19.7 300.46
#w/Windshield, Back Glass, Doors & Interior Trim Removed
- 2 Retainer, Push-On] R 25691947 7.14
L 25691948 7.47
- 3 Extension, Frit Up] R/L 25647200-1 s 1.0 42.69
- 4 Reinf, Door Check] R/L 25643800 3.52
- 5 Reinf, Door Striker] R 25681067 3.54
L 25681068 3.44
#Included w/Outer Side Body Frame Assy
- 6 Frame, Inner Side Body 98-99 R 88948591 s 12.5 419.95
L 12373329 s 12.5 419.95
00-04 R/L 88948591-2 s 12.5 419.95
- 7 Panel, Inner Hinge Pillar R/L 25623036-7 s 3.0 49.25
- 8 Reinf, Inner Hinge Pillar 98 R/L 25687508-9 s #1.5 7.46
99-04 R/L 25687539-40 s .5 7.46
- 9 Reinf, Hinge Pillar R/L 25638654-5 s 1.5 50.59
- 10 Frame, Otr Side W/S R 25718844 s 1.5 16.80
L 25718845 s 1.5 12.31
- 11 Panel, Lower Center Pillar 98-99 R/L 25694855-6 s 1.0 19.53
00-04 R/L 25692199-200 s 1.0 21.49
- 12 Panel, Inner Rocker R 12373350 s 2.5 100.39
L 12481306 s 2.5 100.39
- 13 Moulding, Rocker
Gray R 12374382 .6 228.60
L 88891725 .6 228.60
Paint to Match R 12374382 .6 228.60
L 88891725 .6 228.60



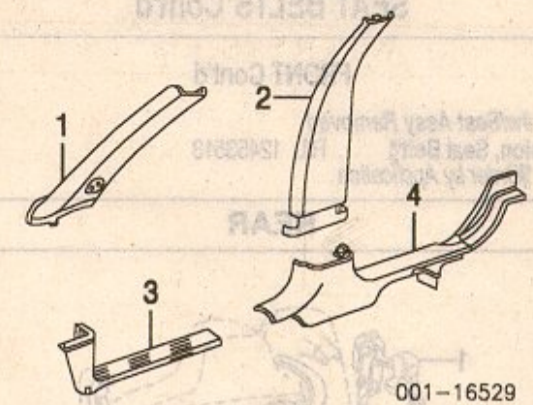
001-19358

14 Pan, Floor-Not Serviced

INTERIOR TRIM

Illustration Located in Next Column

- 1 Moulding, W/S Garnish-See Windshield Section
- 2 Trim, Center Pillar
Black R 25707984 .4 118.57
L 25734565 .4 116.02
Gray R/L 25734566-7 .4 118.57
Shale R 25734562 .4 118.57
L N.A. .4 0.00
- 3 Plate, Front Scuff] R 25731857 .2 10.19



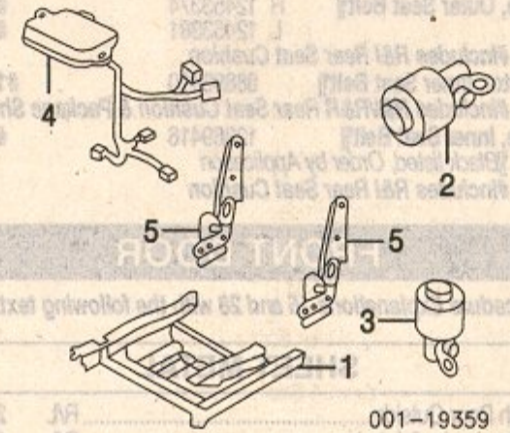
001-16529

- 4 Plate, Rear Scuff] L 25684863 .2 10.70
R 25684896 #.4 14.63
L 25684897 #.4 14.18
#Black listed, Order by Application
#Includes R&R Front Scuff Plate

FRONT SEAT

Use Procedure Explanation 30 with the following text.

R&I Seat Assy..... R/L .3



001-19359

- 1 Adjuster, Seat
Passenger Side 12458640 #.8 722.42
Driver Side
w/Memory 98-01 12458643 #.8 824.60
02-04 88897155 #.8 944.69
w/o Memory 98-01 12458641 #.8 722.42
02-04 88897153 #.8 944.69
- 2 Motor, Recliner
Passenger Side 88895705 #1.0 263.00
Driver Side 88895705 #1.0 263.00
- 3 Motor, Adjuster
Passenger Side 88992489 #1.0 108.47
Driver Side 88992489 #1.0 108.47
- 4 Module, Memory
Driver Side] 98-00 25689594 #.3 505.35
01-04 25702234 #.3 256.53
#Order by Application
- 5 Recliner, Seat Back
Passenger Side R 16800036 #1.2 202.99
L 16800038 #1.2 119.09
Driver Side R 16800037 #1.2 202.99
L 16800039 #1.2 120.16
#w/Seat Assy Removed

REAR SEAT

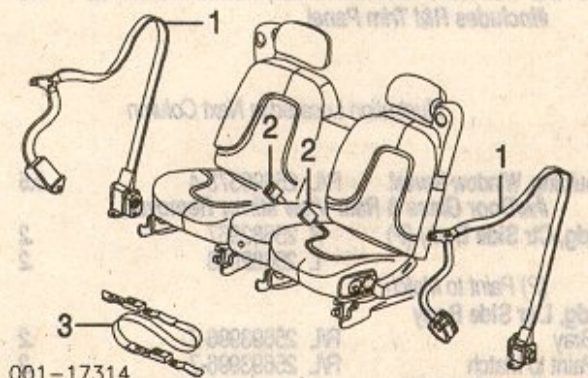
Use Procedure Explanation 30 with the following text.

R&I Seat Assy Complete3
R&I Seat Cushion..... .2

SEAT BELTS

Use Procedure Explanation 30 with the following text.

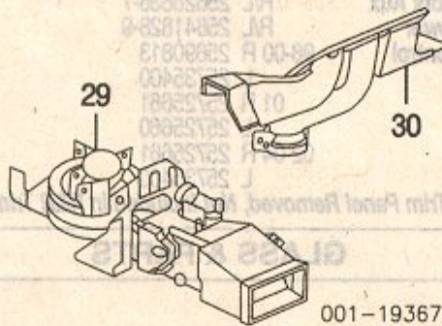
FRONT



001-17314

- 1 Retractor, Seat Belt] R 25732033 .8 121.09
L 88894423 .8 120.00
- 2 Buckle, Seat Belt] R 12453405 #.8 124.35
L 12453412 #.8 145.54
#Black listed, Order by Application

- #R&R Complete
- 7 Cover, Console
Black 12480222 #.3 196.68
Gray 88890774 #.3 208.64
Shale 12480220 #.3 196.68
- 8 Switch, Blower
Black 25662974 #.3 42.09
Gray 25699493 #.3 46.88
Shale 25657969 #.3 42.09
- 9 Door, Console
Black 12480213 #.3 70.29
Gray 88890773 #.3 71.40
Shale 12480211 #.3 68.78
- #R&R Complete
- 10 Plug, Power 12385528 1.07
- 11 Connector, Power 12085504 #22.77
- 12 Hinge, Console 25709201 55.46
- 13 Harness, Console Wiring 98 12187986 411.53
99 15333920 166.28
00-01 15381261 166.28
02-04 25727560 166.28
- 14 Bracket, Lower Console-See Instrument Panel Section
- 15 Holder, Front CD 25646608 27.16
- 16 Holder, Rear CD 25646606 27.16
- 17 Compartment, CD Holder 25646444 76.05
- 18 Holder, Cup 25720087 112.85
- 19 Tray, Storage 25695627 50.16
- 20 Plate, Trim
w/Seat Heater 12481996 #.3 520.00
w/o Seat Heater 12481995 #.3 525.55
- Switch, Seat Heater R/L 25692452 #.3 46.23
- #R&R Complete
- 21 Ashtray Assy 25695628 96.62
- 22 Ashtray] 25695629 78.75
- 23 Lighter] (a) 11516140 10.74
(a) Order by Application
- 24 Housing, Lighter] 11516142 9.70
- 25 Retainer, Housing] 12450012 3.98
#Included w/Ashtray Assy
- 26 Changer, CD] 98-99 25663746 .4 d910.80
00-01 25712067 .4 595.60
02-04 N.A. .4 0.00
#Additional Parts &/or Dealer Contact Required
- 27 Compartment, CD Changer 25686590 39.74
- 28 Holder, CD 98-99 16224406 82.62
00-04 25663747 35.16



001-19367

- 29 Blower, Aux 25730129 #.3 286.81
- 30 Duct, Aux Blower 25685272 #.3 22.81
#R&R Complete w/Console Assy Removed

ROCKER/PILLARS/FLOOR

Use Procedure Explanations 14, 15 and 28 with the following text.

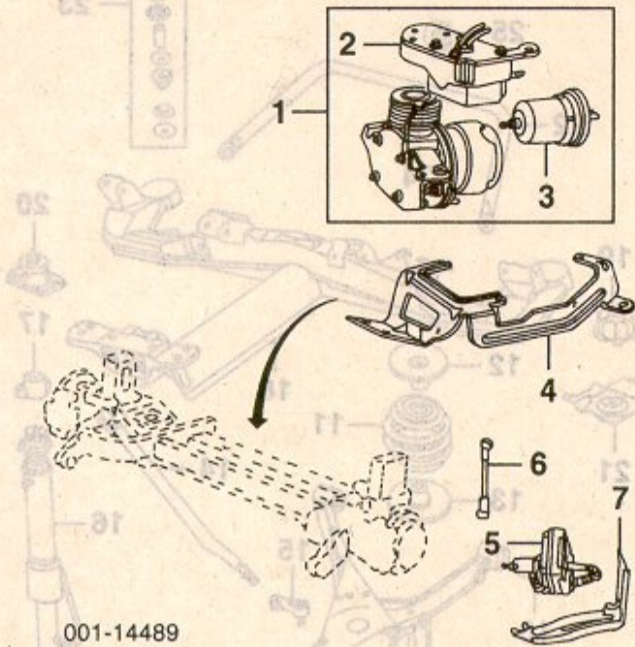
SHEET METAL/EXTERIOR TRIM

- Refinish Outer Side Body Frame Assy..... R/L 4.9
- Refinish Rocker, Center Pillar & Lock Pillar Section... R/L 4.1
- Refinish Rocker Panel & Center Pillar Section..... R/L 2.6

SEVILLE 1998-04

REAR SUSPENSION Cont'd

LEVEL CONTROL Cont'd

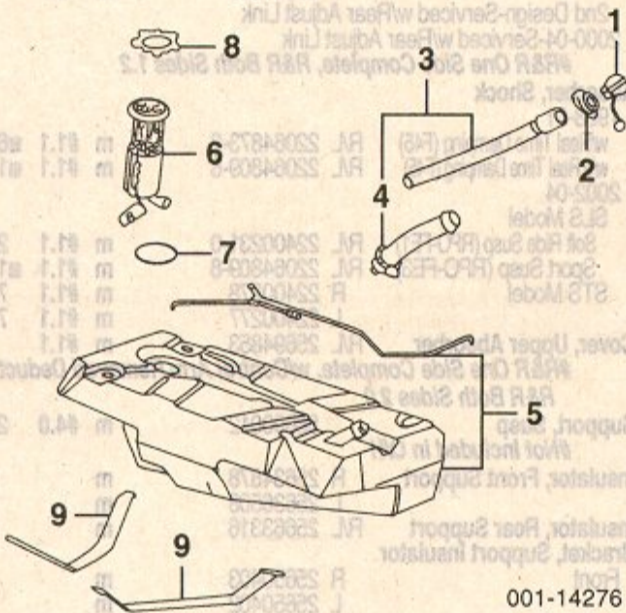


001-14489

FUEL TANK

R&I Fuel Tank..... 1.8

NOTE: R&I/R&R Does Not include drain and refill.



001-14276

1 Cap, Filler	98-03 22660003		8.72
	04 25757560		15.12
2 Seal, Filler Pipe	25696420		4.02
3 Pipe Assy, Filler	25727012	#.8	94.47
4 Hose, Filler	25727016	#.8	79.04
#Included w/Filler Pipe Assy #R&R Complete			
5 Tank, Fuel	25744826	m #2.0	466.73
6 Pump/Sender, Fuel			
1998-99	25335956	m #2.0	448.61
2000			
1st Design	25335956	m #2.0	448.61
2nd Design	25330718	m #2.0	432.48
2001-03	25361862	m #2.0	438.97
2004	25349626	m #2.0	438.97
7 Seal, Sender Sensor, Level	98 25335942	m #2.0	113.20
	99-00 25322887	m #2.0	112.05
	01-04 25326326	m #2.0	113.73
Sensor, Pressure	16238399	m #2.0	39.70
#R&R Complete, Includes D&C Suspension/Support Assy			
8 Cam, Sender	25691383	#7.72	
9 Strap, Fuel Tank	R/L 25642823		14.91

REAR BODY

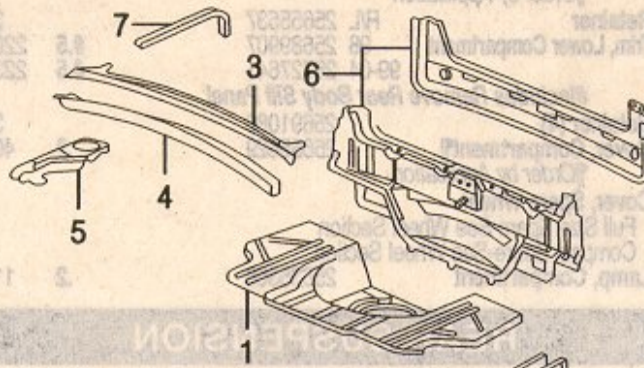
Use Procedure Explanations 26 and 28 with the following text.

SHEET METAL

Refinish Rear Floor Pan.....	1.6
Refinish Rear Body Panel.....	1.5
Add for Inside & Edge.....	.8

Illustration Located in Next Column

1 Pan, Rear Floor	12374401	#10.5	462.73
#w/Rear Body Panel Removed			
2 Rail, Rear Side	R 12481567	s #8.5	584.47



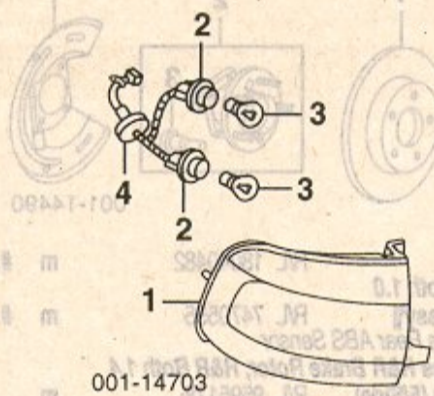
001-14702

L 12480769	s #8.5	594.31
#w/Rear Body Panel Removed, w/Floor Pan Removed 4.0		
3 Panel, Window Drain	25634530	45.97
4 Reinf, Drain Panel	98-99 25634529	52.75
	00-04 25714011	46.17
5 Support, Compt	R 25663552	21.19
	L 25663553	18.91
6 Panel, Rear Body	12373353	#6.5 227.95
#Deduct 2.2 for Each Quarter Panel Removed, Deduction Includes Common Surfaces & Included Operations		
7 Extension, Rear Lwr Body	R/L 25644420-1	35.44

REAR LAMPS

COMBINATION LAMP

R&I Combination Lamp..... R/L .3

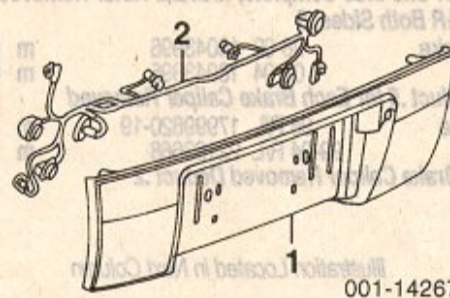


001-14703

1 Lamp, Combination			
SLS Model	98-00 R/L 16524766-5	.3	196.97
	01-04 R/L 16524768-7	.3	198.35
STS Model	R/L 16524768-7	.3	198.35
2 Socket, Bulb	R/L 12083689	.2	60.12
3 Bulb, Combination Lamp (2/Side)	R/L 12450108	#.1	2.61
#Included in R&I Combination Lamp			
4 Harness, Combination Lamp	R/L 12165461	.2	90.39

BACK-UP/LICENSE LAMP

R&I Back-Up/License Lamp..... .4

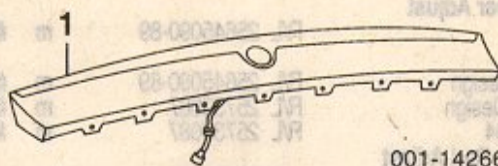


001-14267

1 Lamp, Back-Up/License	16524243	.4	369.32
Bulb, Back-Up (2)	9442443	.1	2.26
Bulb, License (2)	16518168	.1	14.85
2 Harness Assy, Back-Up/License Lamp	12165456	#.5	87.15
#Includes R&I/R&R Back-Up/License Lamp			
Socket, Back-Up Lamp (2)	12085330	#43.95	
Socket, License Lamp (2)	89986416	39.02	
#Included w/Back-Up/License Lamp Harness Assy			

HIGH MOUNT STOP LAMP

Refinish Stop Lamp.....	.5
R&I Stop Lamp.....	.5



001-14266

1 Lamp, Stop (P)

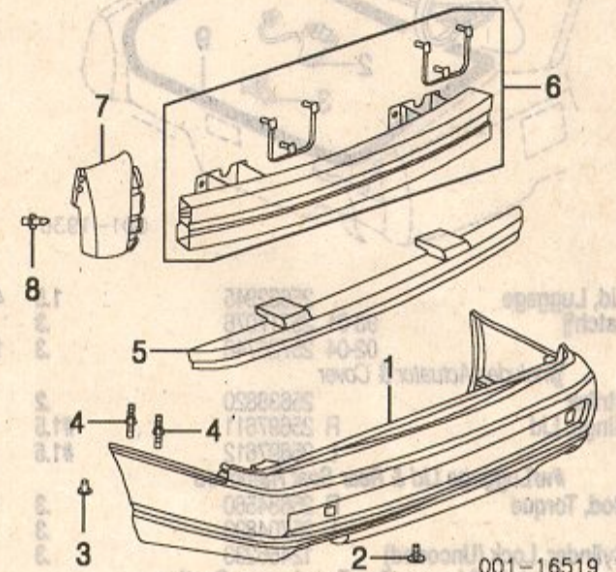
w/Panel, Emblem	98-01 25690155	.5	420.75
	02-04 25722742	.5	439.13
w/o Panel, Emblem	25697411	.5	346.00
LED Type Lamp			
(P) Paint to Match			

REAR BUMPER

Use Procedure Explanations 27 and 28 with the following text.

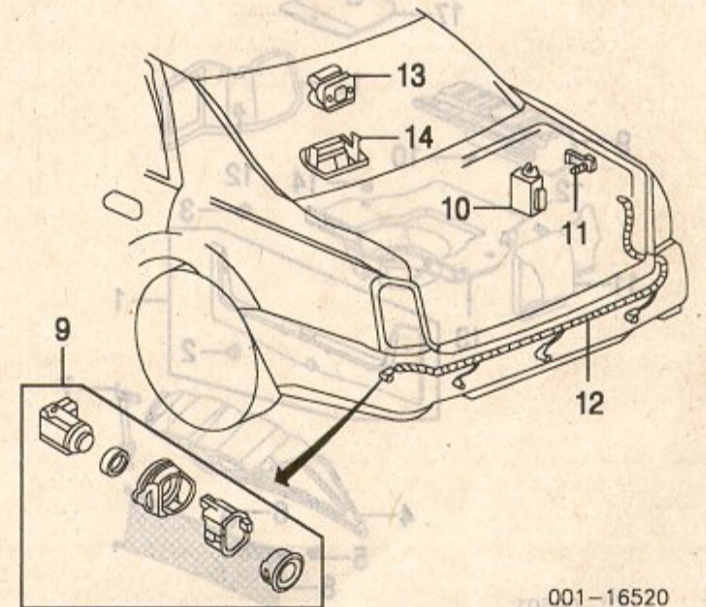
Refinish Rear Cover.....	2.8
R&I Bumper Assy.....	1.0
O/H Bumper Assy (Includes R&I).....	2.4
Add to R&R or O/H Bumper Cover	
w/Rear Object Sensor.....	.4

NOTE: All Parts in this section are included in overhaul unless noted otherwise.



001-16519

1 Cover, Rear (P)			
1998-99	25678020	2.4	449.64
2000-02			
w/Rear Object Sensor	25705022	2.4	447.46
w/o Rear Object Sensor	25678020	2.4	449.64
2003-04	25705022	2.4	447.46
(P) Paint to Match			
2 Retainer, Inner (5)			
Push-In	10121502		.30
3 Retainer, Outer	R/L 11515704		1.72
4 Stud, Cover (2/Side)	R/L 22635602		3.95
5 Absorber, Impact	25726347	IOH	79.83
6 Bar, Impact	25715937	2.4	243.22
7 Extension, Cover	R/L 25693102-3	.3	21.80
8 Retainer, Ext (3/Side)	R/L 11518017		3.84



001-16520

9 Sensor, Rear Object (4)	88890430	#.1	144.36
#w/Bumper Assy Removed			
10 Module, Control	25750800	#.2	152.12
#w/Right Side Compartment Trim Removed, Not Included in O/H			
11 Brkt, Module Stud	11517641	#	3.84
#Not Included in O/H			
12 Harness, Rear Object Sensor	15355600		78.47
#Order by Application			
13 Telltale, Info Center	25668342	#.3	52.19
14 Housing, Telltale			
w/Sunroof	12482883	#.2	20.87
w/o Sunroof	12482876	#.2	20.87
#Black listed, Order by Application			
#Not Included in O/H			